

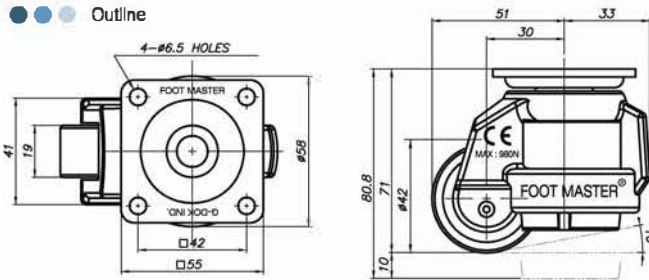
GD Series - Detailed Specifications



GD-40-F-NYN

- ▶ Load Capacity 50 kg
- ▶ Recommended Load / 4 pcs 100 kg
- ▶ Temperature Range -10 ~ 90 °C

Outline



Materials

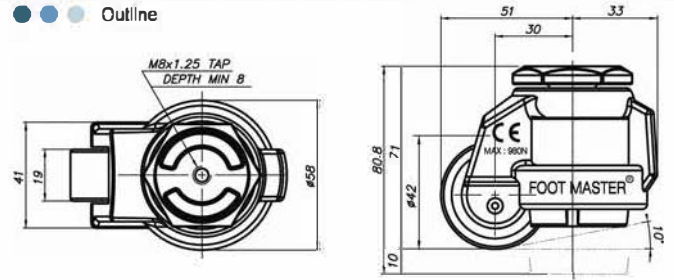
Names	Basic materials	Optional materials
Plate	Pressed steel / khaki	-
Frame	Aluminum / Ivory	Aluminum / Black
Handle	ABS / Orange	-
Pad	NBR / Black	NBR / Gray Antistatic NBR / Black Polyurethane / Natural Antistatic Polyurethane / Natural
Wheel	Nylon 6	-
Powder coat & Zinc galvanized		



GD-40-S-NYN

- ▶ Load Capacity 50 kg
- ▶ Recommended Load / 4 pcs 100 kg
- ▶ Temperature Range -10 ~ 90 °C

Outline



Materials

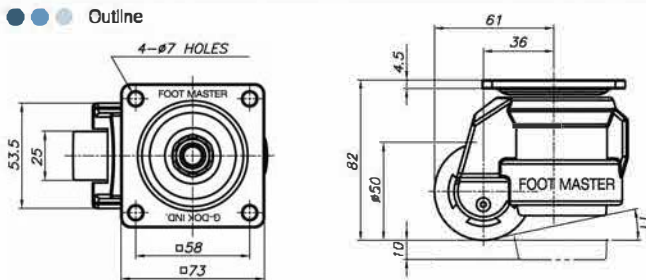
Names	Basic materials	Optional materials
Plate	Forged steel / khaki	-
Frame	Aluminum / Ivory	Aluminum / Black
Handle	ABS / Orange	-
Pad	NBR / Black	NBR / Gray Antistatic NBR / Black Polyurethane / Natural Antistatic Polyurethane / Natural
Wheel	Nylon 6	-
Powder coat & Zinc galvanized		



GD-60-F-NYN

- ▶ Load Capacity 250 kg
- ▶ Recommended Load / 4 pcs 500 kg
- ▶ Temperature Range -10 ~ 90 °C

Outline



Materials

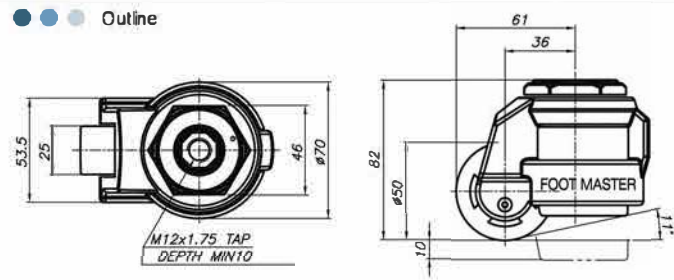
Names	Basic materials	Optional materials
Plate	Pressed steel / khaki	-
Frame	Aluminum / Ivory	Aluminum / Black
Handle	ABS / Orange	-
Pad	NBR / Black	NBR / Gray Antistatic NBR / Black Polyurethane / Natural Antistatic Polyurethane / Natural
Wheel	Nylon 6	Polyurethane
Powder coat & Zinc galvanized		



GD-60-S-NYN

- ▶ Load Capacity 250 kg
- ▶ Recommended Load / 4 pcs 500 kg
- ▶ Temperature Range -10 ~ 90 °C

Outline



Materials

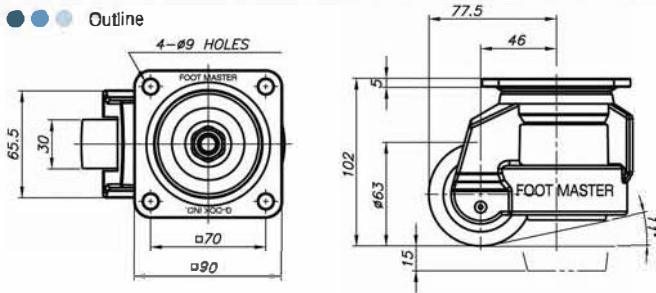
Names	Basic materials	Optional materials
Plate	Pressed steel / khaki	-
Frame	Aluminum / Ivory	Aluminum / Black
Handle	ABS / Orange	-
Pad	NBR / Black	NBR / Gray Antistatic NBR / Black Polyurethane / Natural Antistatic Polyurethane / Natural
Wheel	Nylon 6	Polyurethane
Powder coat & Zinc galvanized		



GD-80-F-NYN

- ▶ Load Capacity 500 kg
- ▶ Recommended Load / 4pcs 1,000 kg
- ▶ Temperature Range -10 ~ 90 °C

Outline



Materials

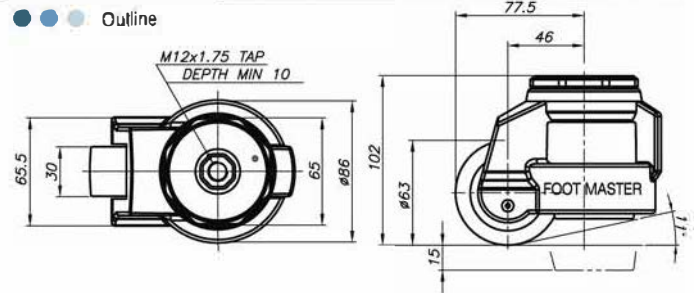
Names	Basic materials	Optional materials
Plate	Pressed steel / khaki	-
Frame	Aluminum / Ivory	Aluminum / Black
Handle	ABS	-
Pad	NBR / Black	NBR / Gray Antistatic NBR / Black Polyurethane / Natural Antistatic Polyurethane / Natural
Wheel	Nylon 6	Polyurethane
Powder coat & Zinc galvanized		



GD-80-S-NYN

- ▶ Load Capacity 500 kg
- ▶ Recommended Load / 4pcs 1,000 kg
- ▶ Temperature Range -10 ~ 90 °C

Outline



Materials

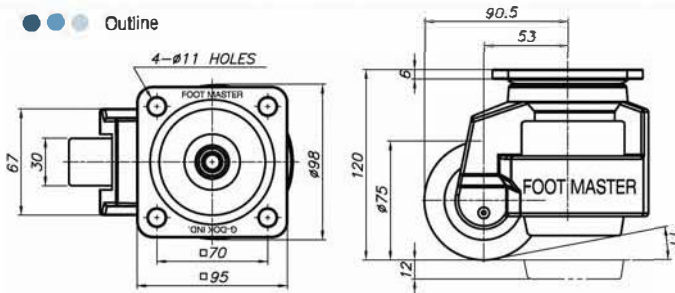
Names	Basic materials	Optional materials
Plate	Pressed steel / khaki	-
Frame	Aluminum / Ivory	Aluminum / Black
Handle	ABS / Orange	-
Pad	NBR / Black	NBR / Gray Antistatic NBR / Black Polyurethane / Natural Antistatic Polyurethane / Natural
Wheel	Nylon 6	Polyurethane
Powder coat & Zinc galvanized		



GD-100-F-NYN

- ▶ Load Capacity 750 kg
- ▶ Recommended Load / 4pcs 1,500 kg
- ▶ Temperature Range -10 ~ 90 °C

Outline



Materials

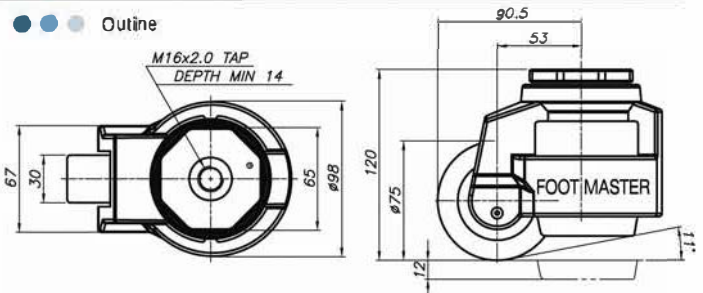
Names	Basic materials	Optional materials
Plate	Pressed steel / khaki	-
Frame	Aluminum / Ivory	Aluminum / Black
Handle	ABS / Orange	-
Pad	NBR / Black	NBR / Gray ABS / Black Antistatic NBR / Black Polyurethane / Natural Antistatic Polyurethane / Natural
Wheel	Nylon 6	Polyurethane
Powder coat & Zinc galvanized		



GD-100-S-NYN

- ▶ Load Capacity 750 kg
- ▶ Recommended Load / 4pcs 1,500 kg
- ▶ Temperature Range -10 ~ 90 °C

Outline



Materials

Names	Basic materials	Optional materials
Plate	Forged steel / khaki	-
Frame	Aluminum / Ivory	Aluminum / Black
Handle	ABS / Orange	-
Pad	NBR / Black	NBR / Gray ABS / Black Antistatic NBR / Black Polyurethane / Natural Antistatic Polyurethane / Natural
Wheel	Nylon 6	Polyurethane
Powder coat & Zinc galvanized		

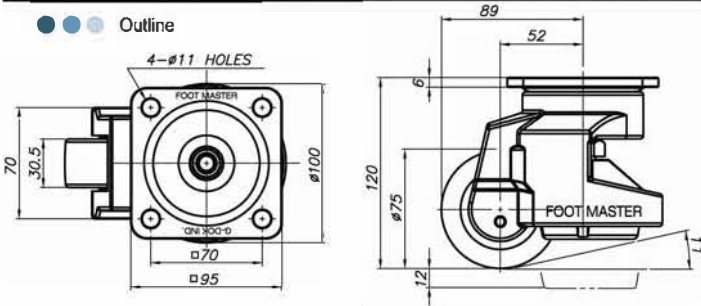
IV. Detail Specifications(2)



GD-120-F-NYN

- ▶ Load Capacity 1,000 kg
- ▶ Recommended Load / 4pcs 2,000 kg
- ▶ Temperature Range -10 ~ 90 C

Outline



Materials

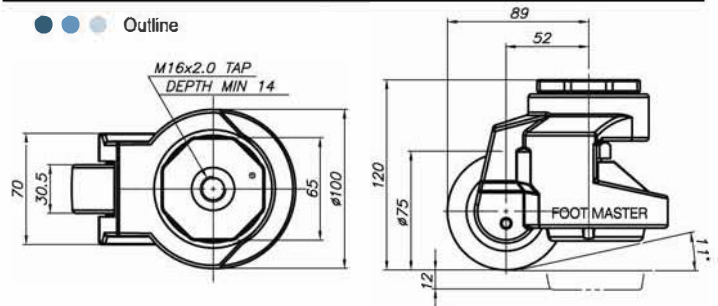
Names	Basic materials	Optional materials
Plate	Pressed steel / khaki	-
Frame	Aluminum / Ivory	Aluminum / Black
Handle	Carbon steel	-
Pad	Aluminum / Black	ABS / Black
Wheel	Nylon 6	-
Powder coat & Zinc galvanized		



GD-120-S-NYN

- ▶ Load Capacity 1,000 kg
- ▶ Recommended Load / 4pcs 2,000 kg
- ▶ Temperature Range -10 ~ 90 C

Outline



Materials

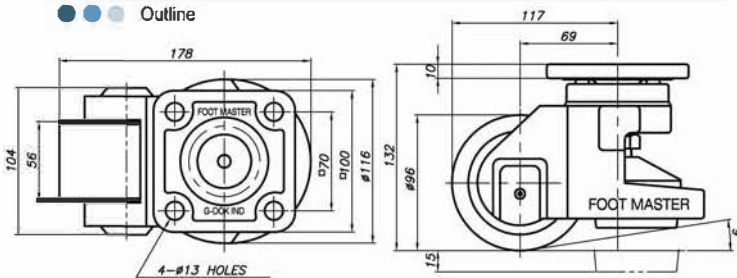
Names	Basic materials	Optional materials
Plate	Forged steel / khaki	-
Frame	Aluminum / Ivory	Aluminum / Black
Handle	Carbon steel	-
Pad	Aluminum / Black	ABS / Black
Wheel	Nylon 6	-
Powder coat & Zinc galvanized		



GD-150-F-MCN

- ▶ Load Capacity 1,500 kg
- ▶ Recommended Load / 4pcs 3,000 kg
- ▶ Temperature Range -10 ~ 90 C

Outline



Materials

Names	Basic materials	Optional materials
Plate	Forged steel / khaki	-
Frame	Aluminum / Ivory	Aluminum / Black
Handle	Carbon steel	-
Pad	Aluminum / Black	-
Wheel	MC Nylon	-
Powder coat & Zinc galvanized		

BLANK