

# ORDER PICKER ASSEMBLY MANUAL

*Model Numbers:*

*FS13873*

*FS13874*

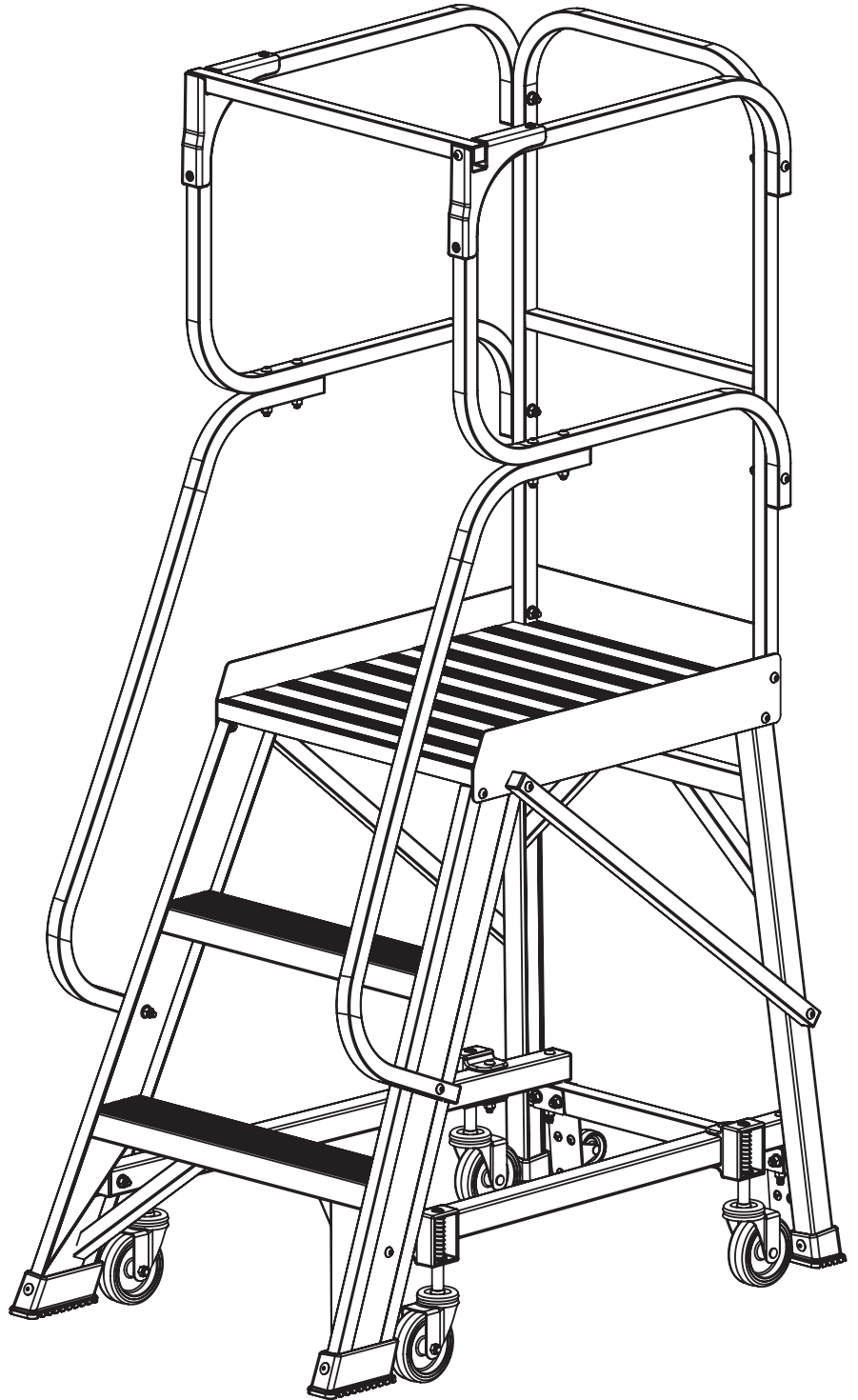
*FS13875*

*FS13876*

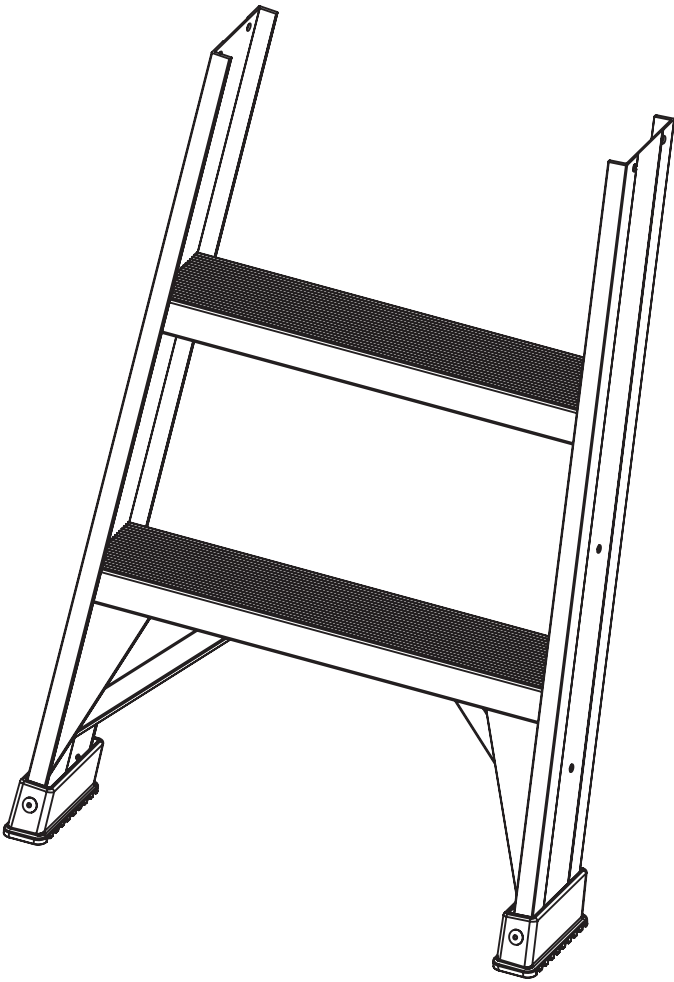
*FS13877*

*FS13878*

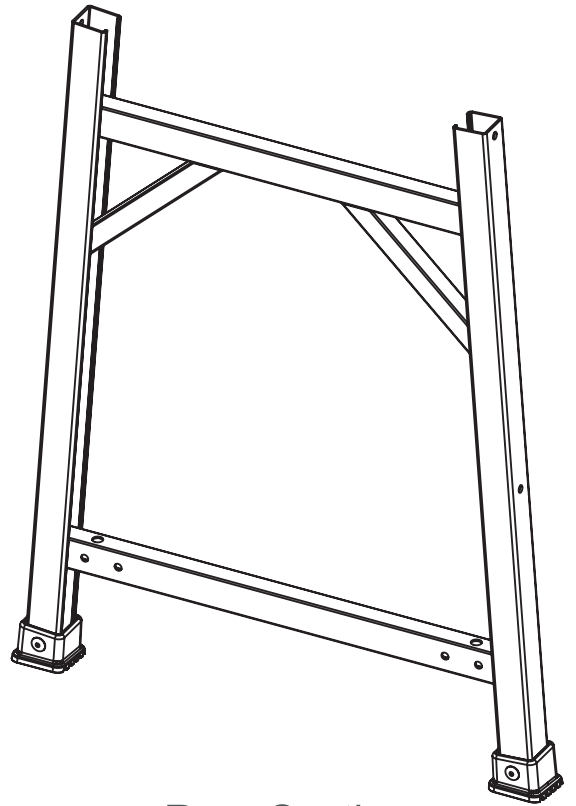
*FS13879*



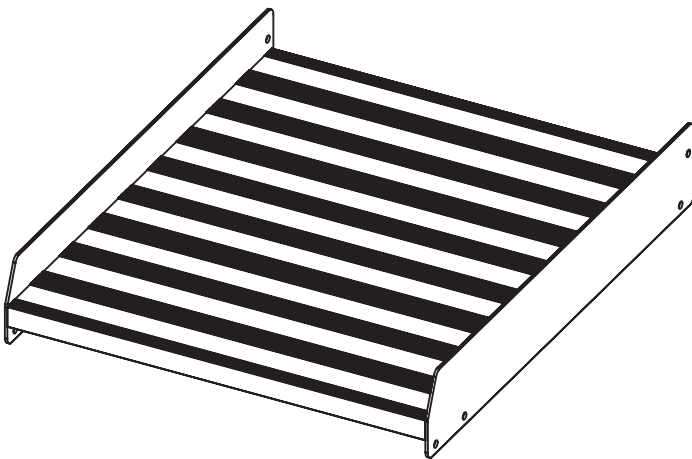
# COMPONENT LIST



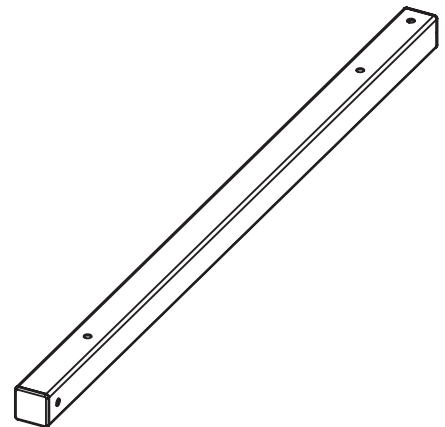
Front Section



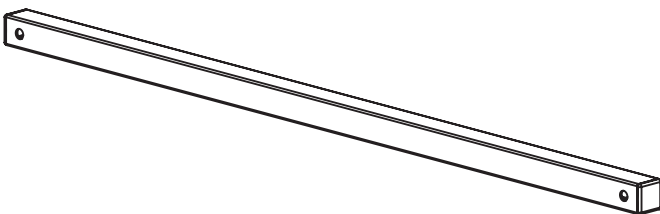
Rear Section



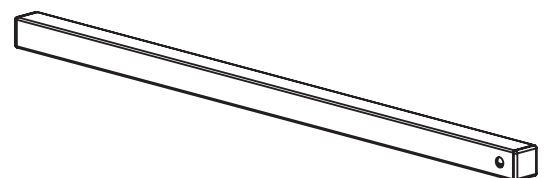
Platform



Castor Rail (x2)

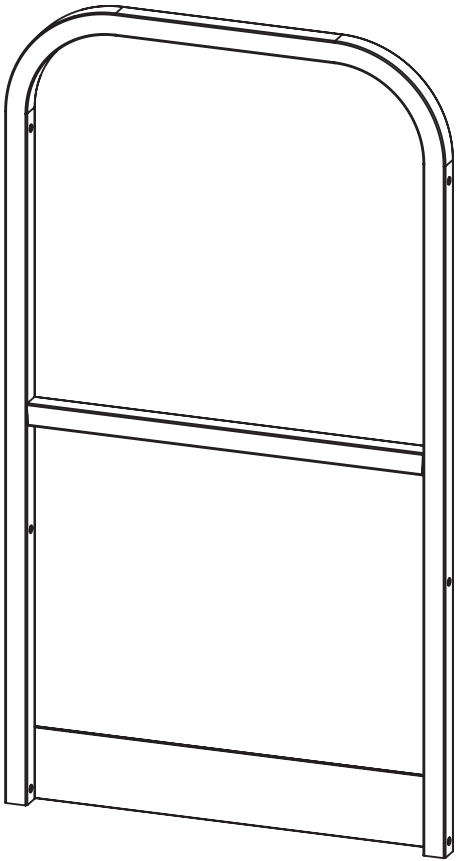


Side Brace (x2)

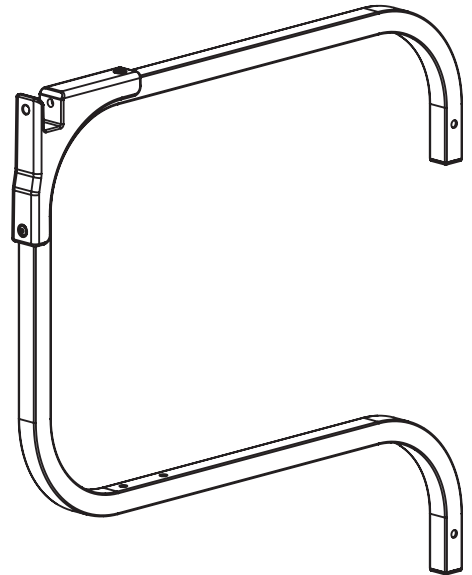


Safety Gate

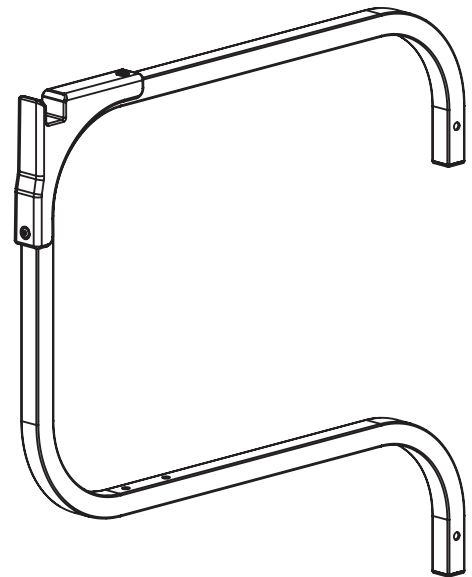
# COMPONENT LIST



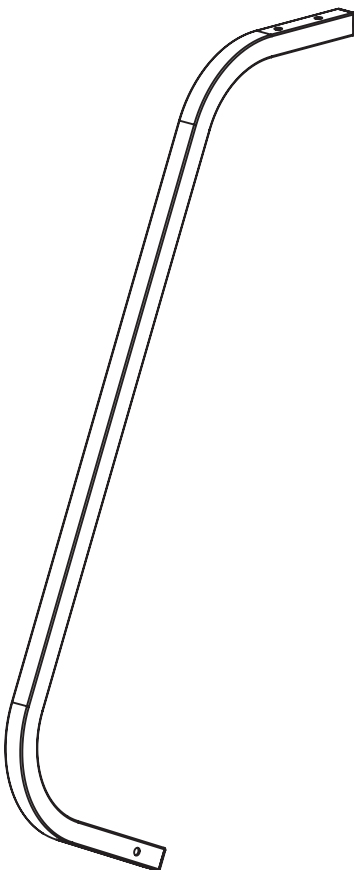
Rear Panel



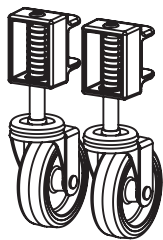
Top Handrail



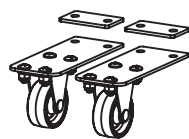
Top Handrail



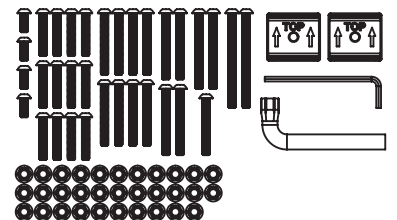
Bottom Handrail (x2)



Castor Kit (x2)



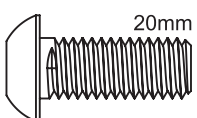
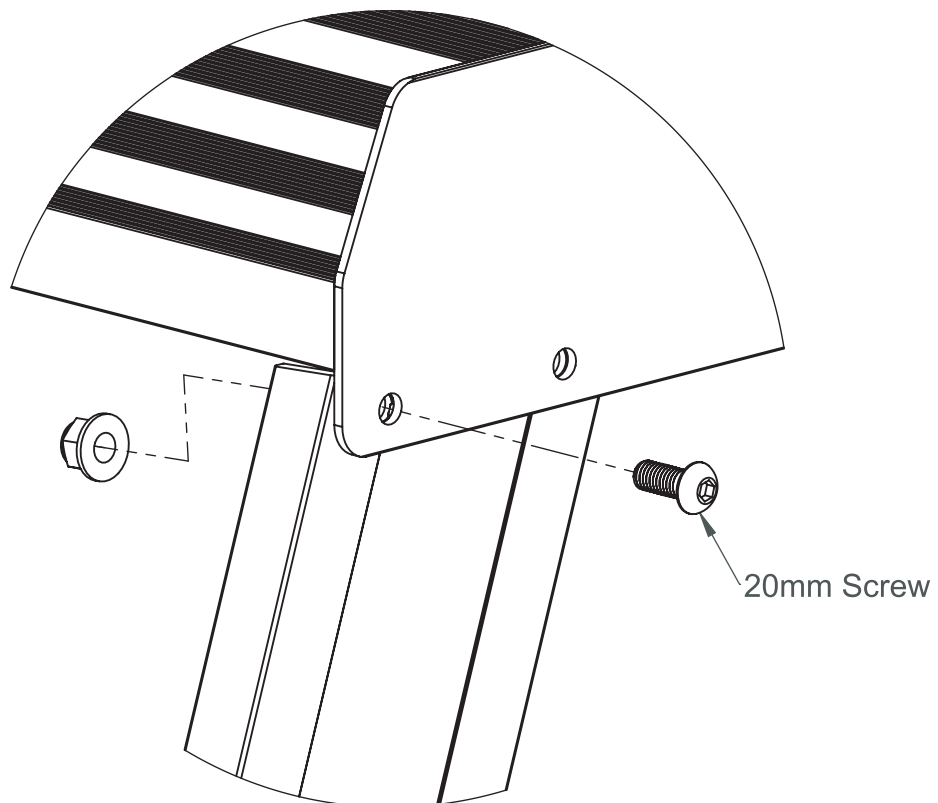
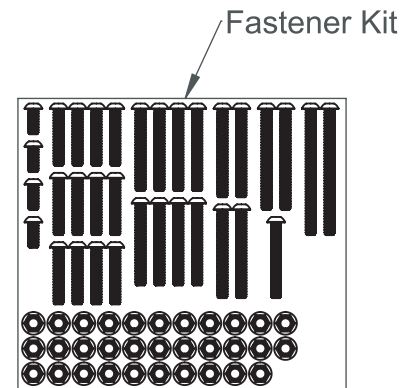
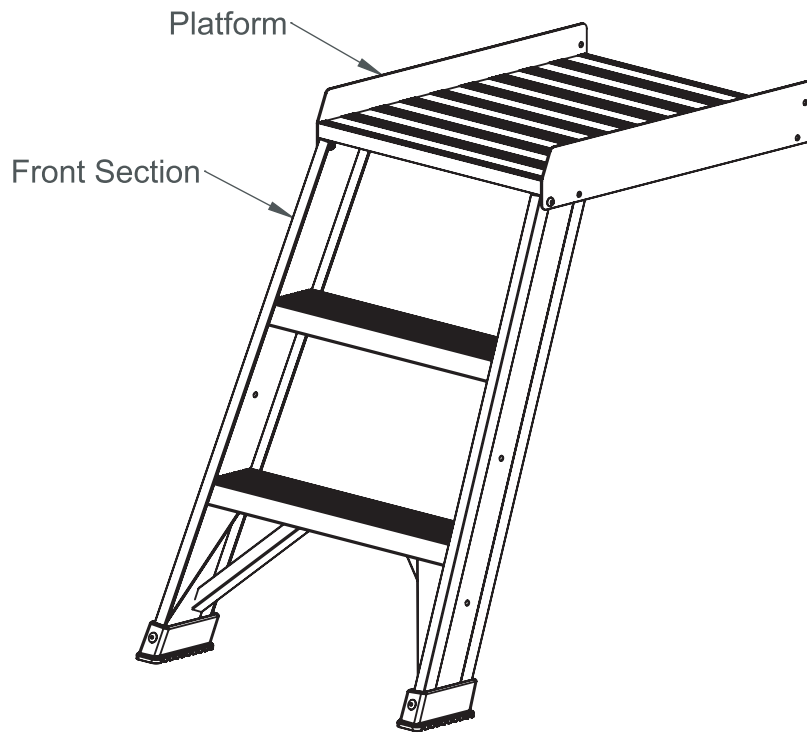
Castor Kit



Component Kit

# STEP 1

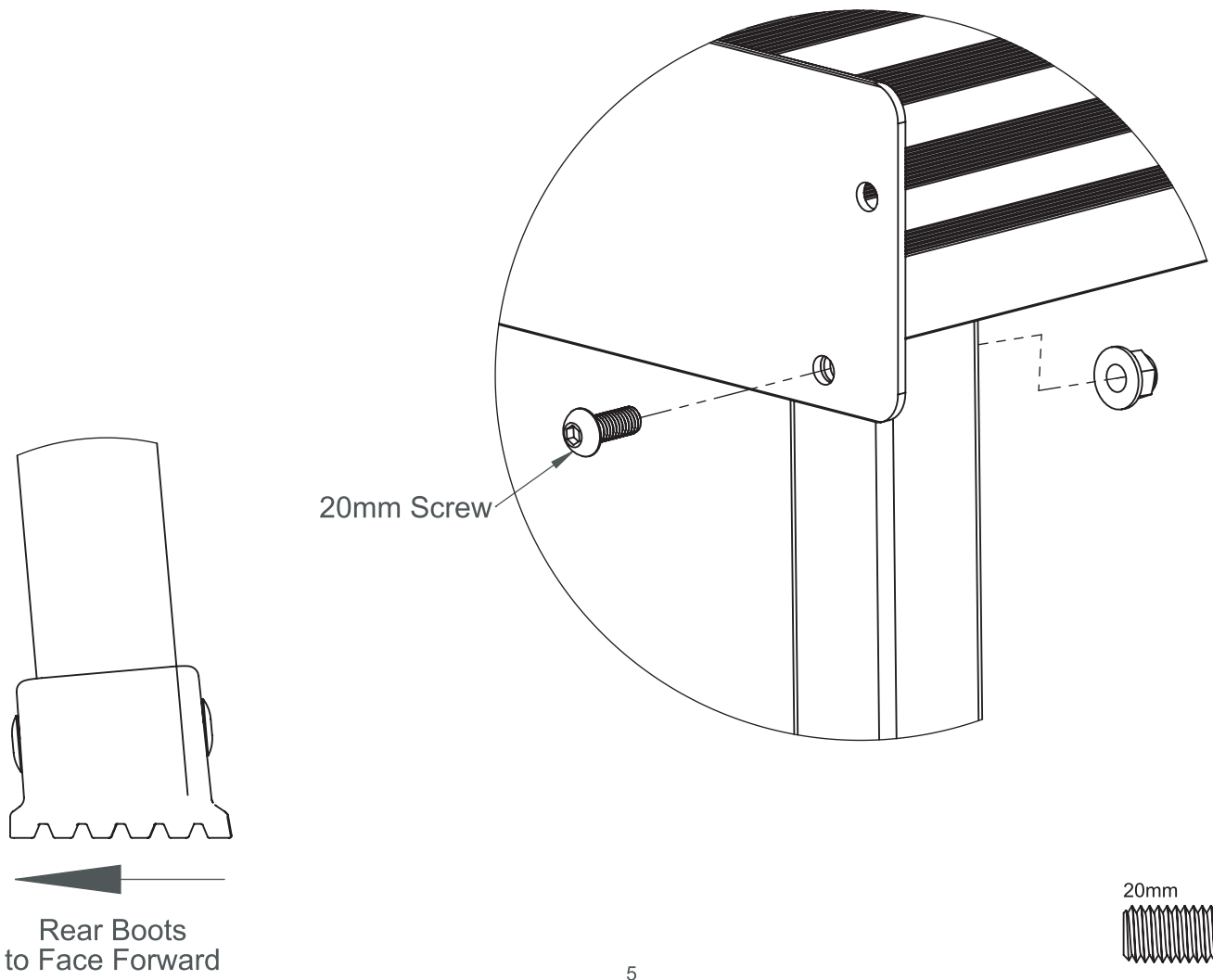
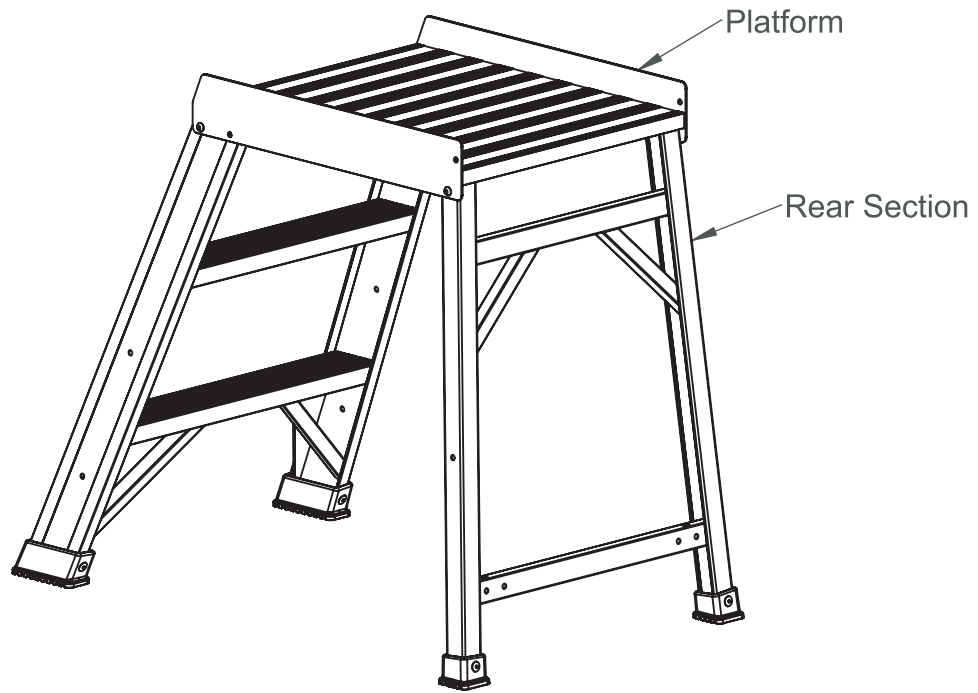
## Assemble Platform and Front Section



Do Not Tighten  
Any Fasteners  
Until After Step 4.

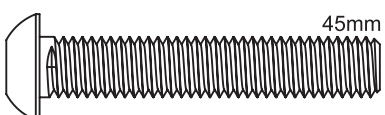
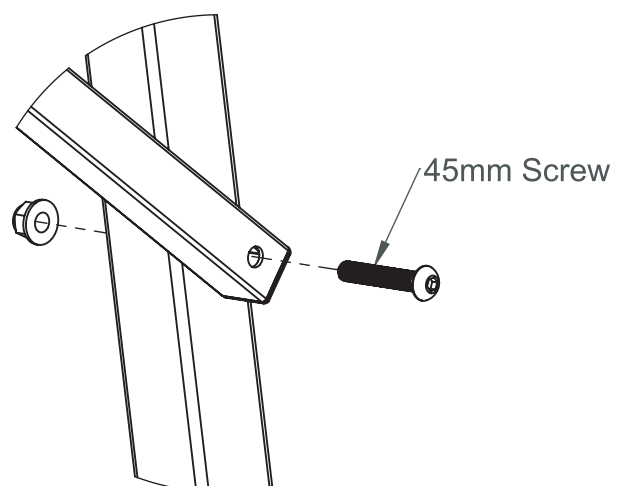
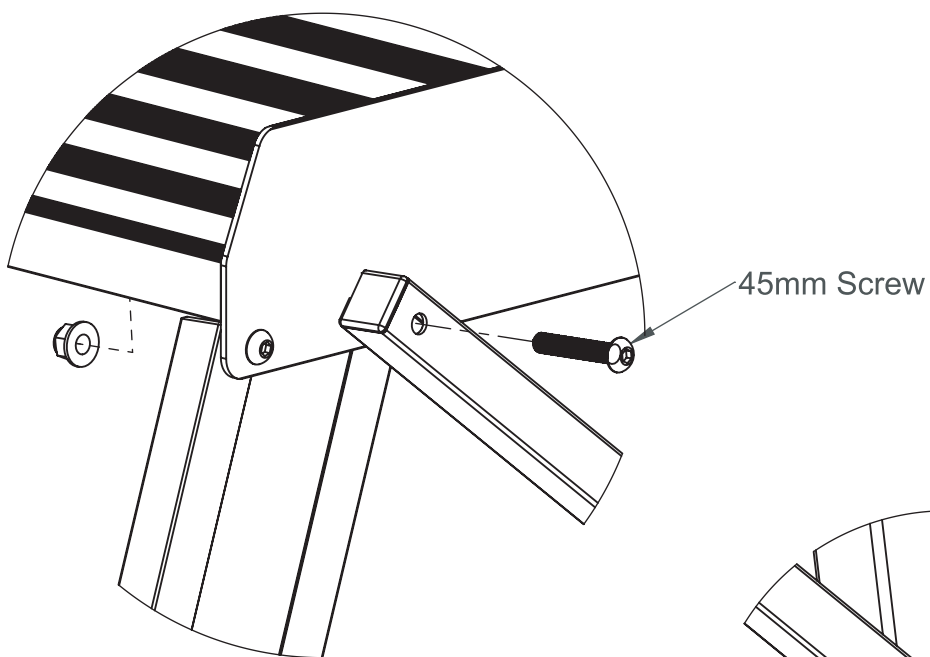
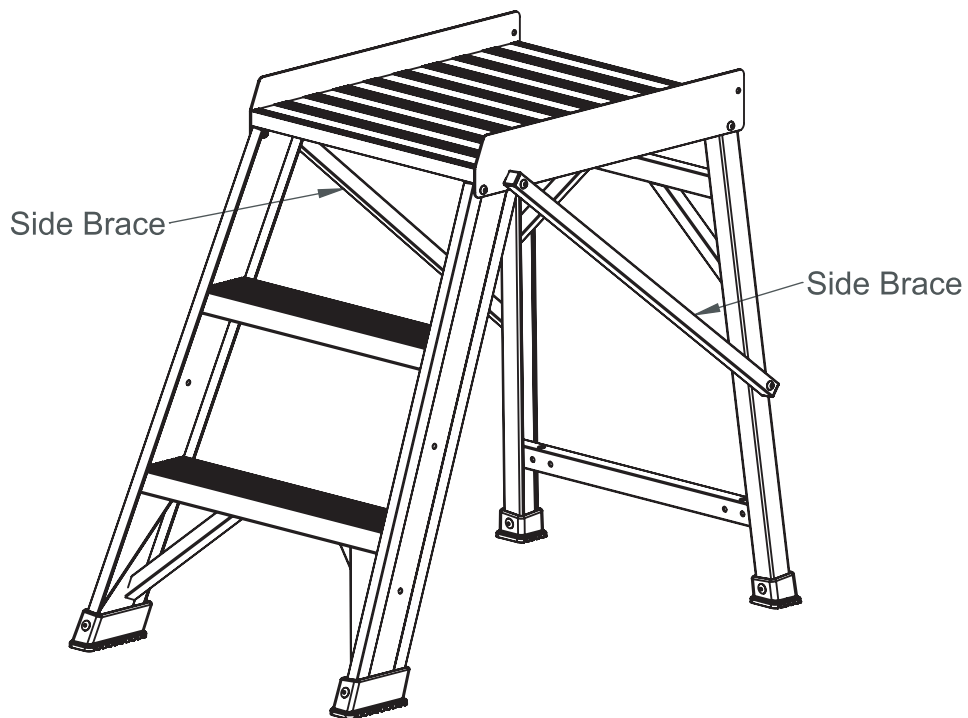
# STEP 2

## Assemble Platform and Rear Section



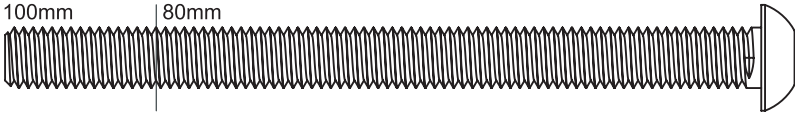
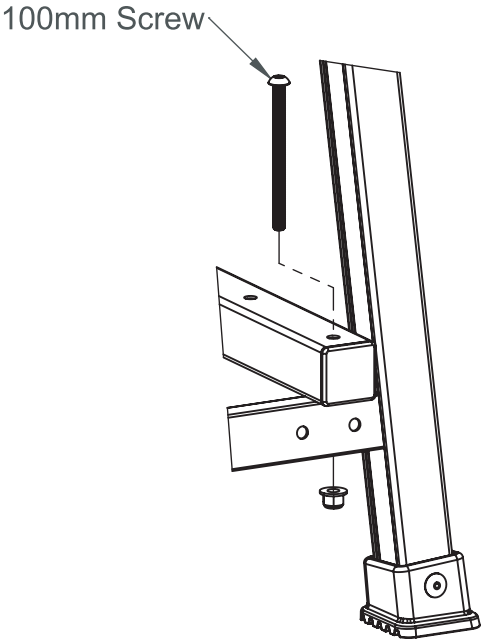
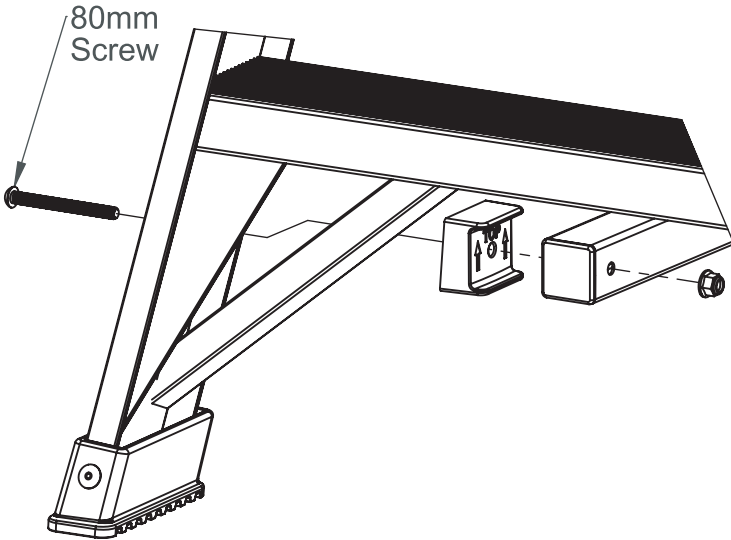
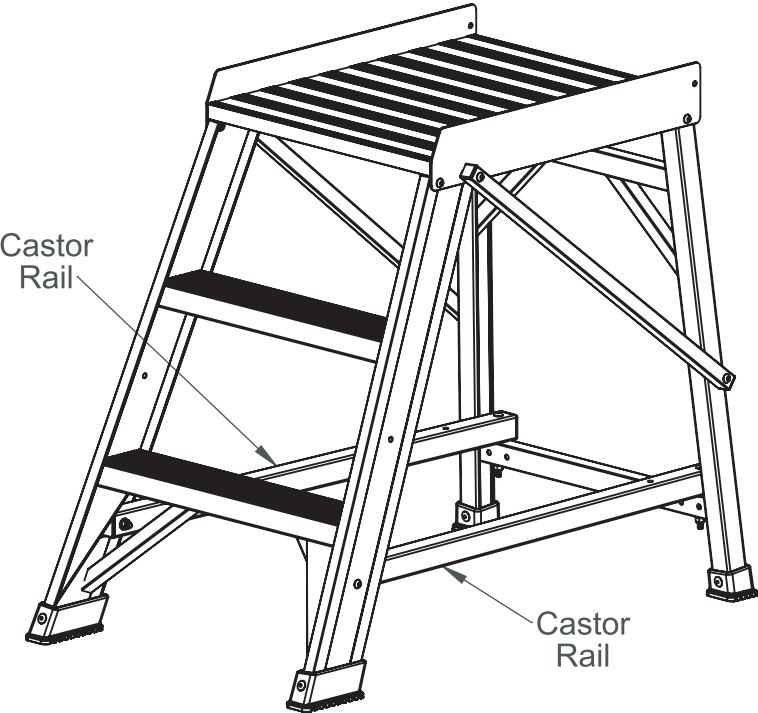
# STEP 3

## Assemble Side Braces to Platform and Rear Section



# STEP 4

## Assemble Castor Rails to Front Section and Rear Section



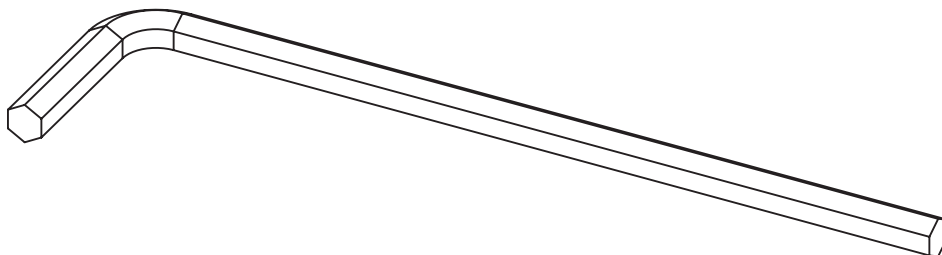
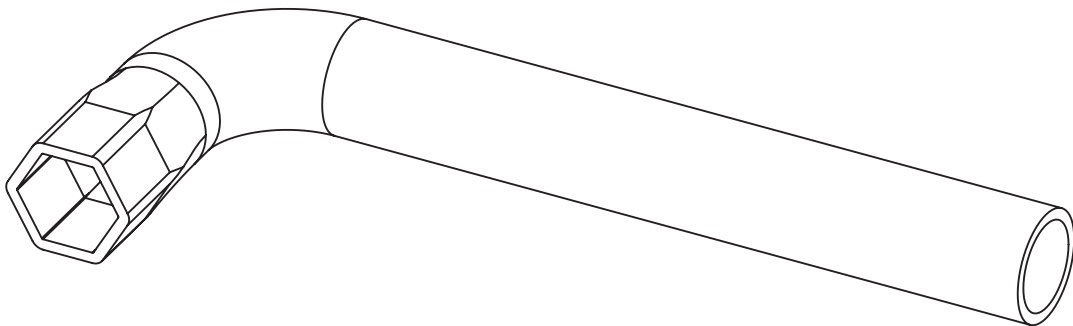
Firmly Tighten All Fasteners  
Assembled In Steps 1 Through 4.

Use The Bent Tube Spanner  
And Allen Key Supplied In The  
Component Kit.

Ensure Product Is Standing Upright  
And On A Flat And Level Surface.

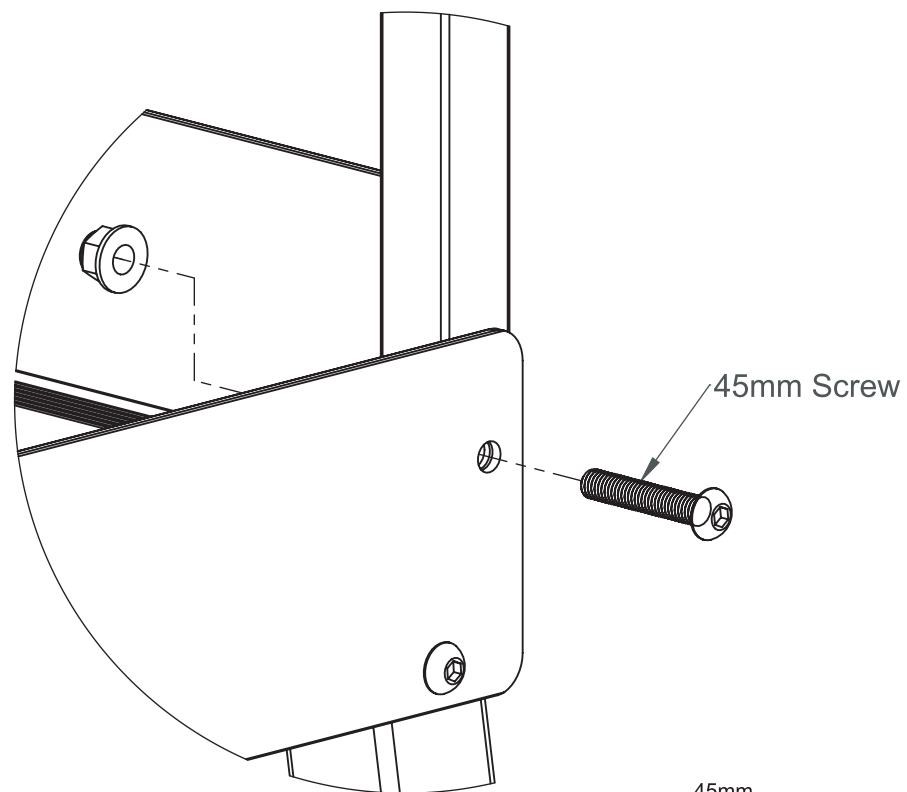
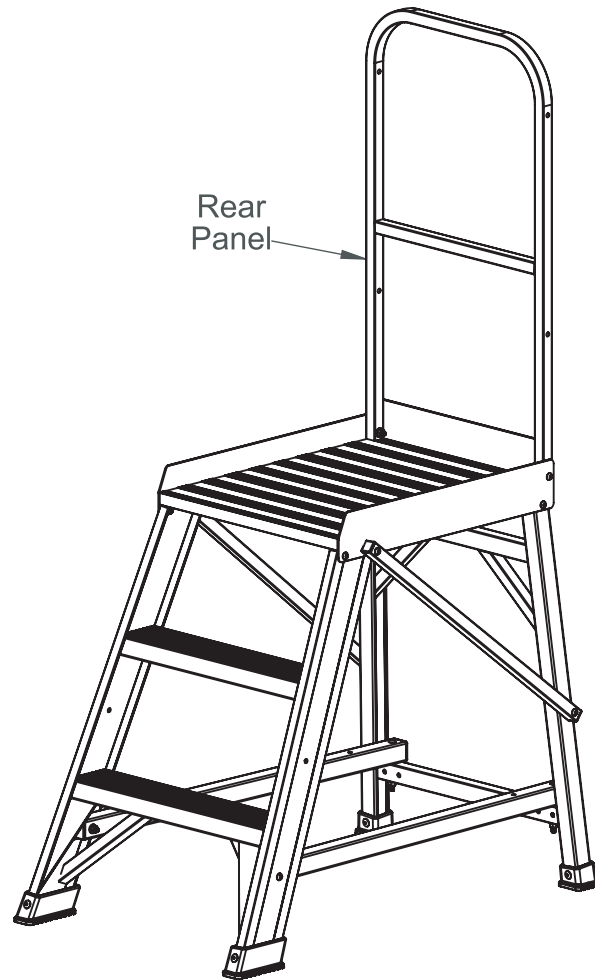
Do Not Over-Tighten Fasteners.

Do Not Crush Hollow Sections.

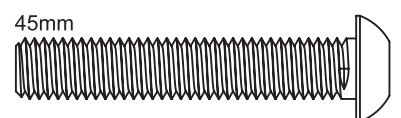


# STEP 5

## Assemble Rear Panel to Platform

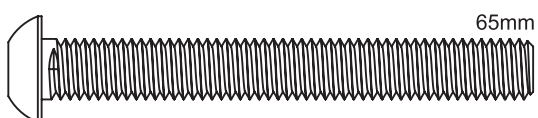
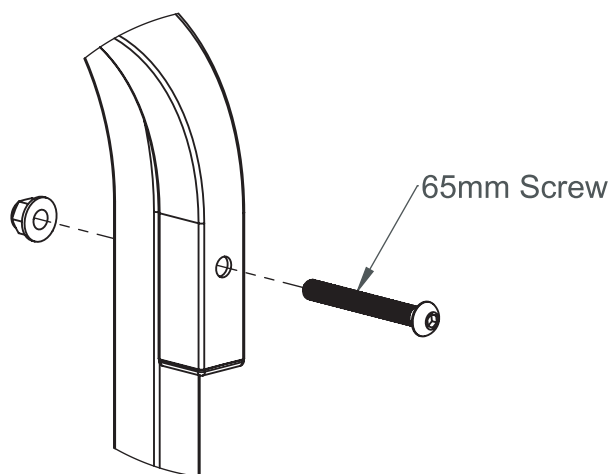
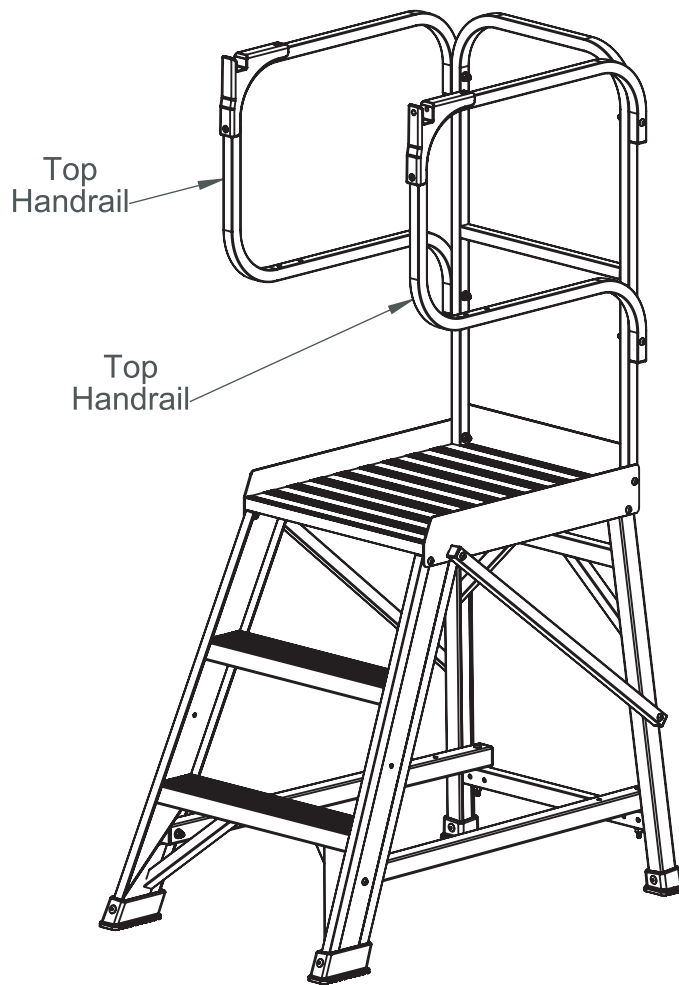


Do Not Tighten  
Any Fasteners  
Until After Step 10.



# STEP 6

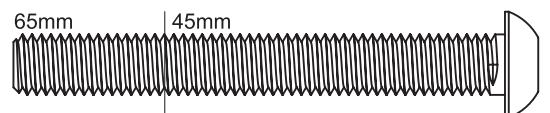
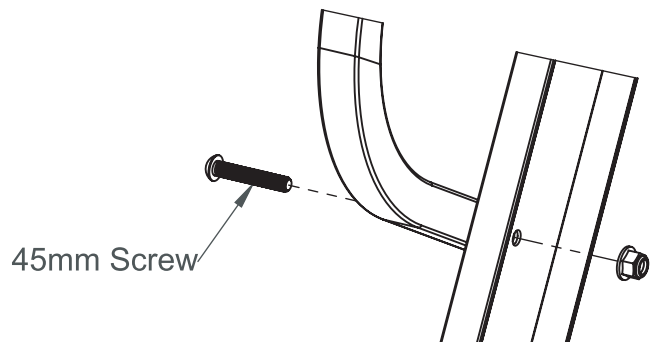
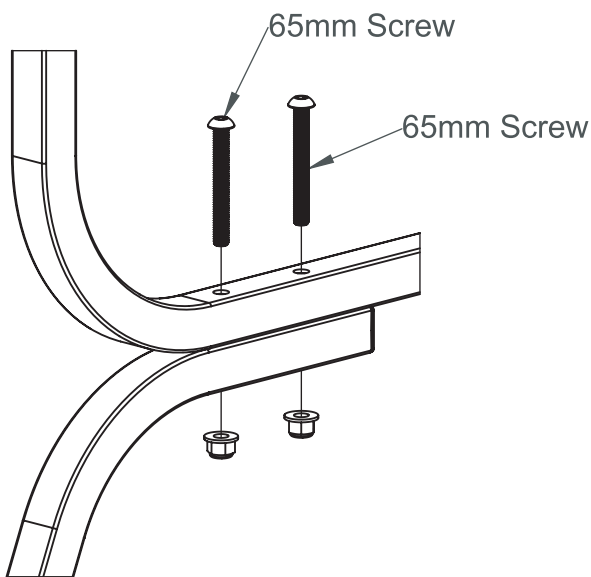
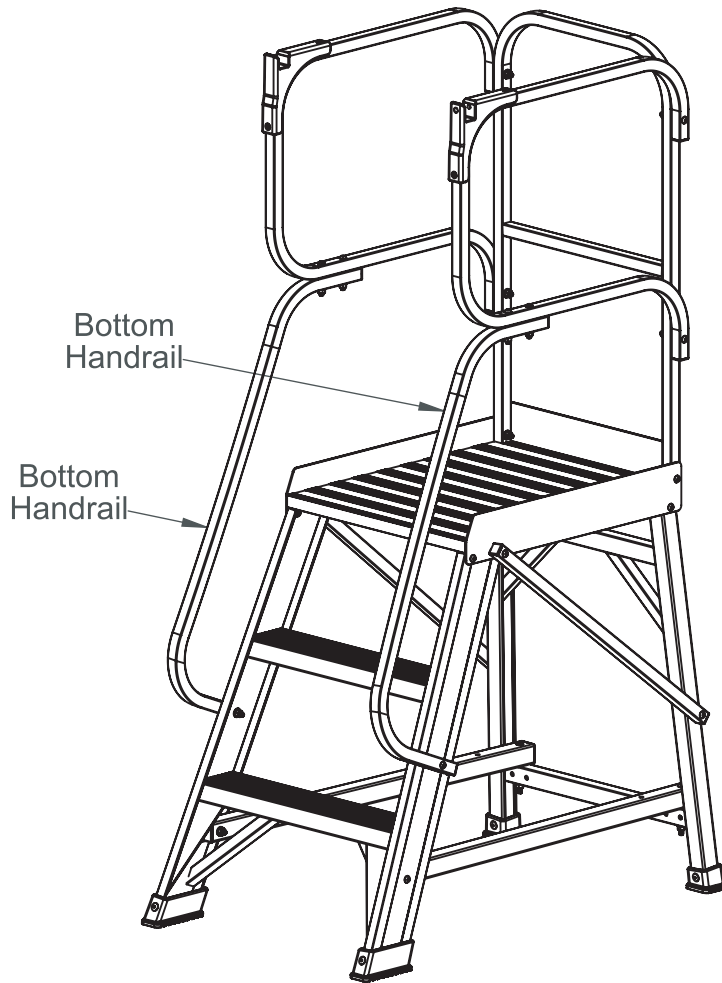
## Assemble Top Handrails to Rear Panel



Safety Gate Pivot Position Can Be Assembled On The RHS or LHS.

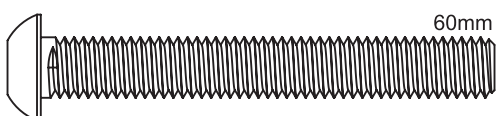
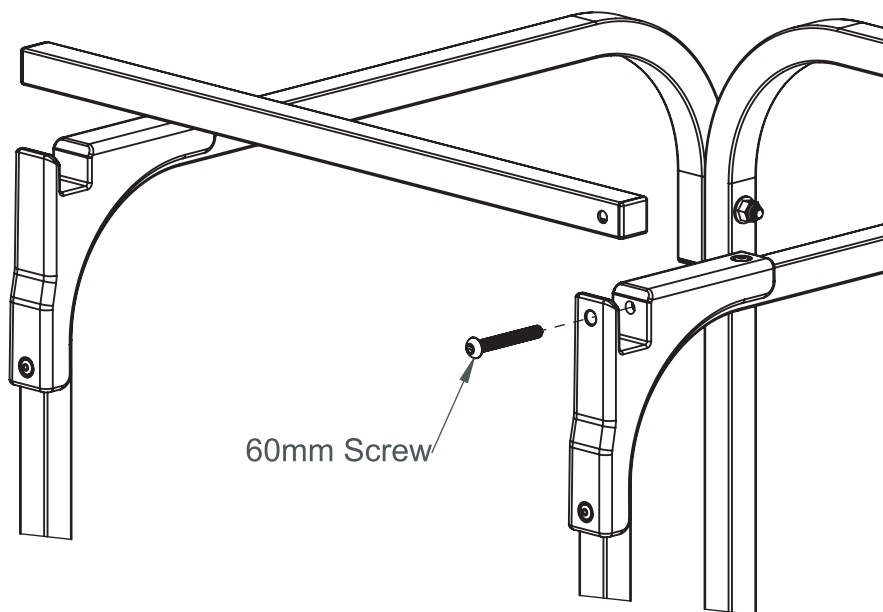
# STEP 7

## Assemble Bottom Handrails to Top Handrails and Front Section



# STEP 8

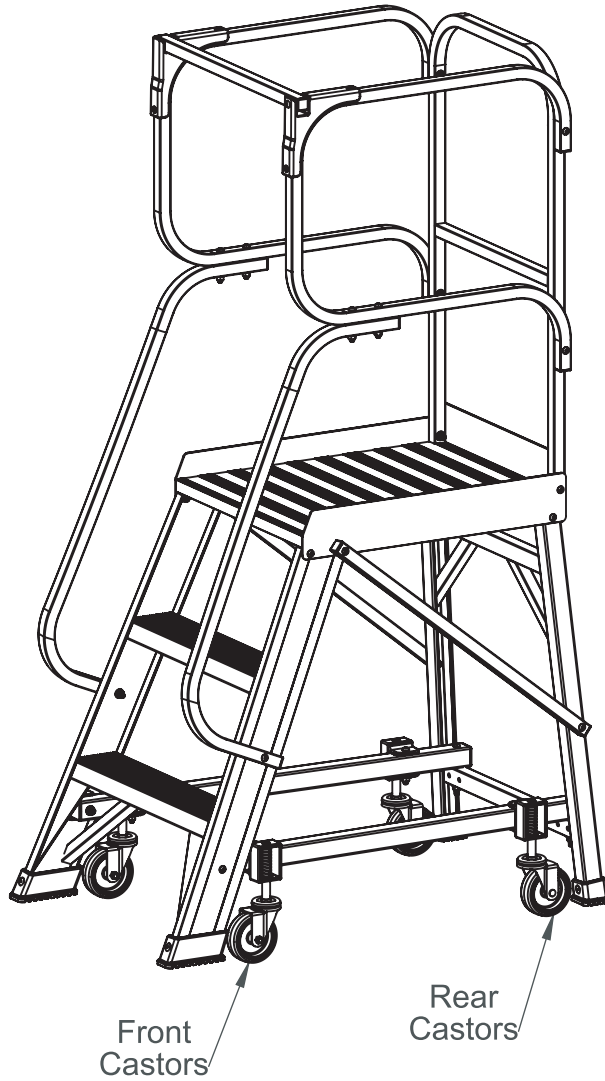
## Assemble Safety Gate to Top Handrails



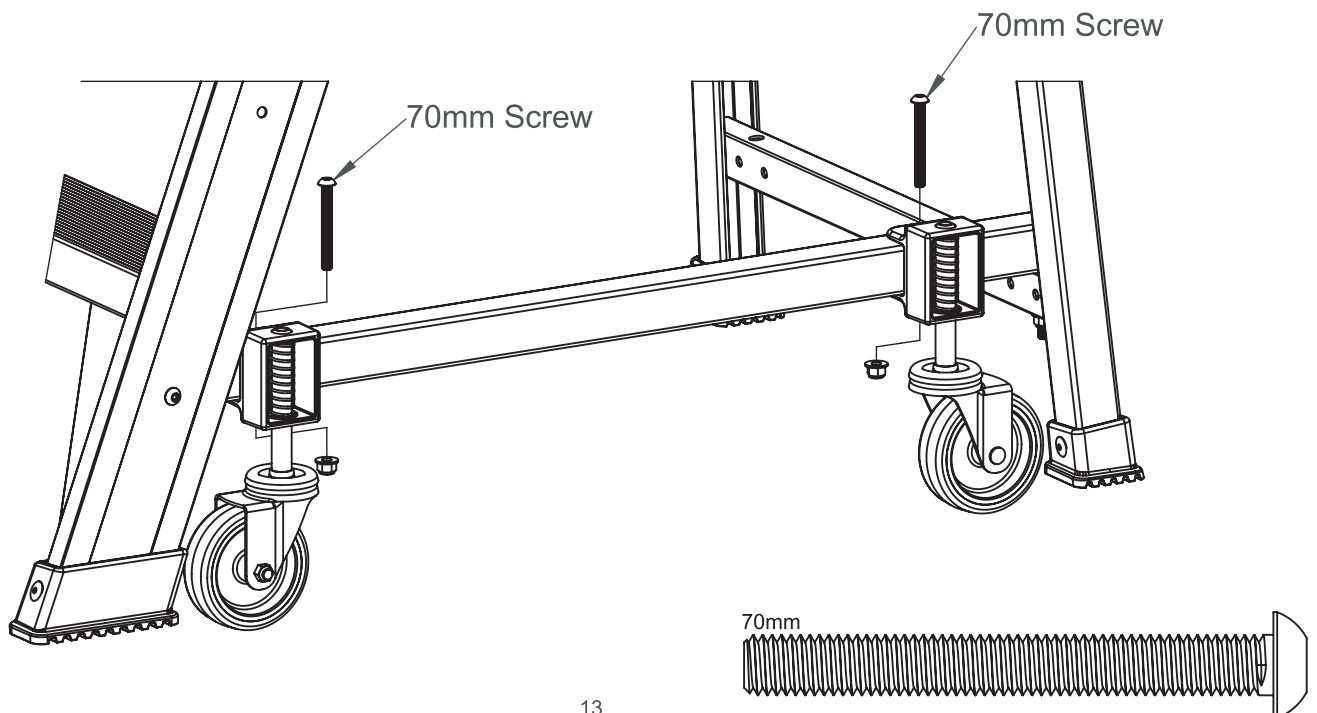
# STEP 9

## Assemble Castors to Castor Rails

MODEL	FRONT SPRING COLOUR
2 STEP	
3 STEP	
4 STEP	
5 STEP	
6 STEP	
7 STEP	
8 STEP	

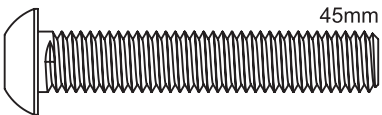
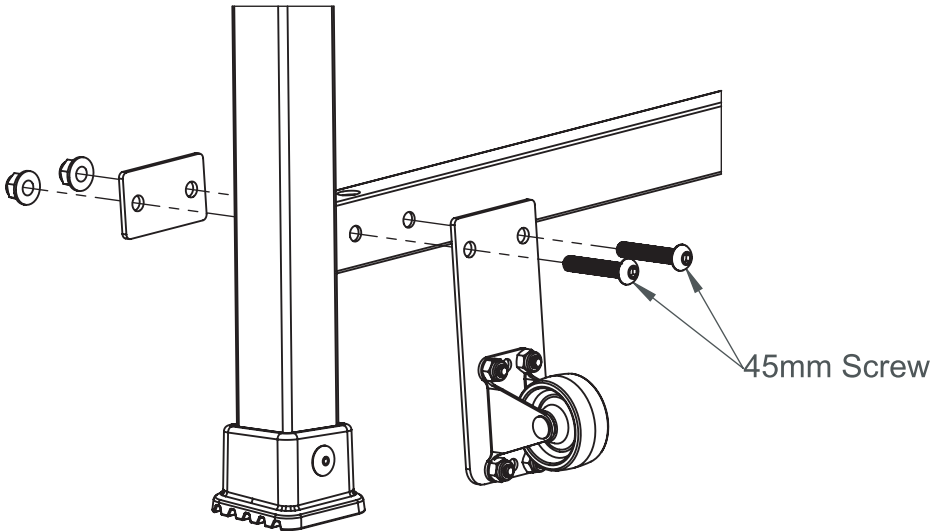
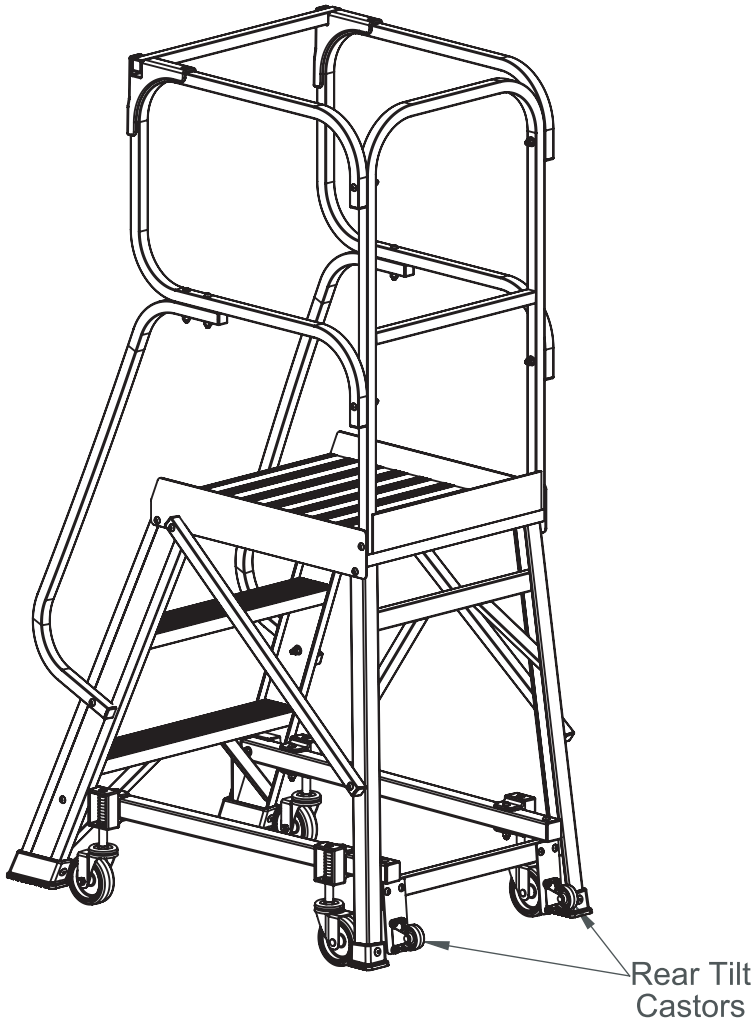


MODEL	REAR SPRING COLOUR
2 STEP	
3 STEP	
4 STEP	
5 STEP	
6 STEP	
7 STEP	
8 STEP	



# STEP 10

## Assemble Rear Tilt Castors to Rear Section



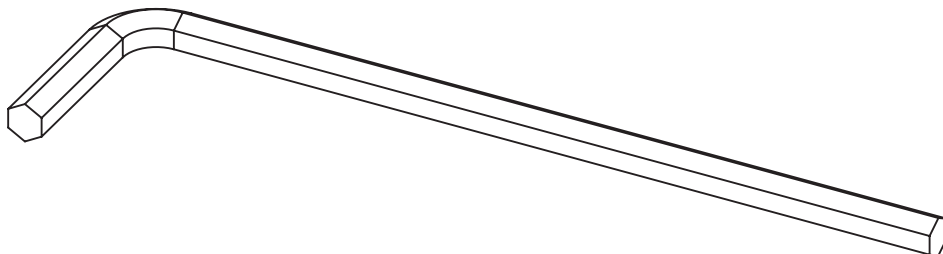
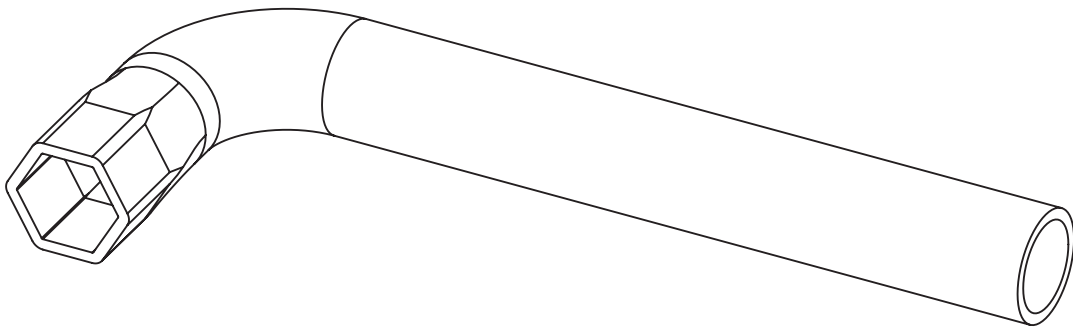
Skip This Step  
When Not Assembling  
The Rear Tilt Castors.

Firmly Tighten All Fasteners  
Assembled In Steps 5 Through 10.

Use The Bent Tube Spanner  
And Allen Key Supplied In The  
Component Kit.

Do Not Over-Tighten Fasteners.

Do Not Crush Hollow Sections.



Page Left Intentionally Blank

Page Left Intentionally Blank

Page Left Intentionally Blank

# READ THESE INSTRUCTIONS COMPLETELY BEFORE STARTING WORK.

## **WARNING:**

Failure to comply with all instructions may result in serious injury.  
Before assembling this product, identify all components.  
If any components are missing or damaged, return to the place of purchase.  
Do not substitute any components.  
Firmly tighten all fasteners.  
Do not over-tighten fasteners.

## **ATTENTION:**

For Goods Return, this package must be in original condition.  
If the contents are opened and or partially assembled  
they will not be accepted as a returnable item.

## **WARNING:**

AS 1892: Portable Ladders.  
Read and understand assembly instructions and labels before use.  
Inspect all components for damage before use.  
Ensure enclosed slip resistant footwear is worn at all times.  
Ensure ladder is only used on firm and level ground.  
Do not overreach.  
Always keep your 'belt buckle' inside the footprint of the ladder.  
This ladder is designed and load rated to carry  
a maximum load of 150kg.  
Do not move the ladder with users, tools or materials on the platform.  
Do not use this ladder if you tire easily or are subject to  
fainting spells, are using medication, drugs or alcohol,  
are pregnant or physically handicapped.  
The manufacturer/importer Werner Co. will not be responsible for  
damage or injury to persons through misuse of ladders.



*[baileyladders.com.au](http://baileyladders.com.au)*

**WERNERCO™**

*Need help or information?  
Consumer Advice AU 1300 760 717*

*[baileyladders.com.au](http://baileyladders.com.au)*

©2020 Werner Co. P/N 119965-07 Rev A 6/20