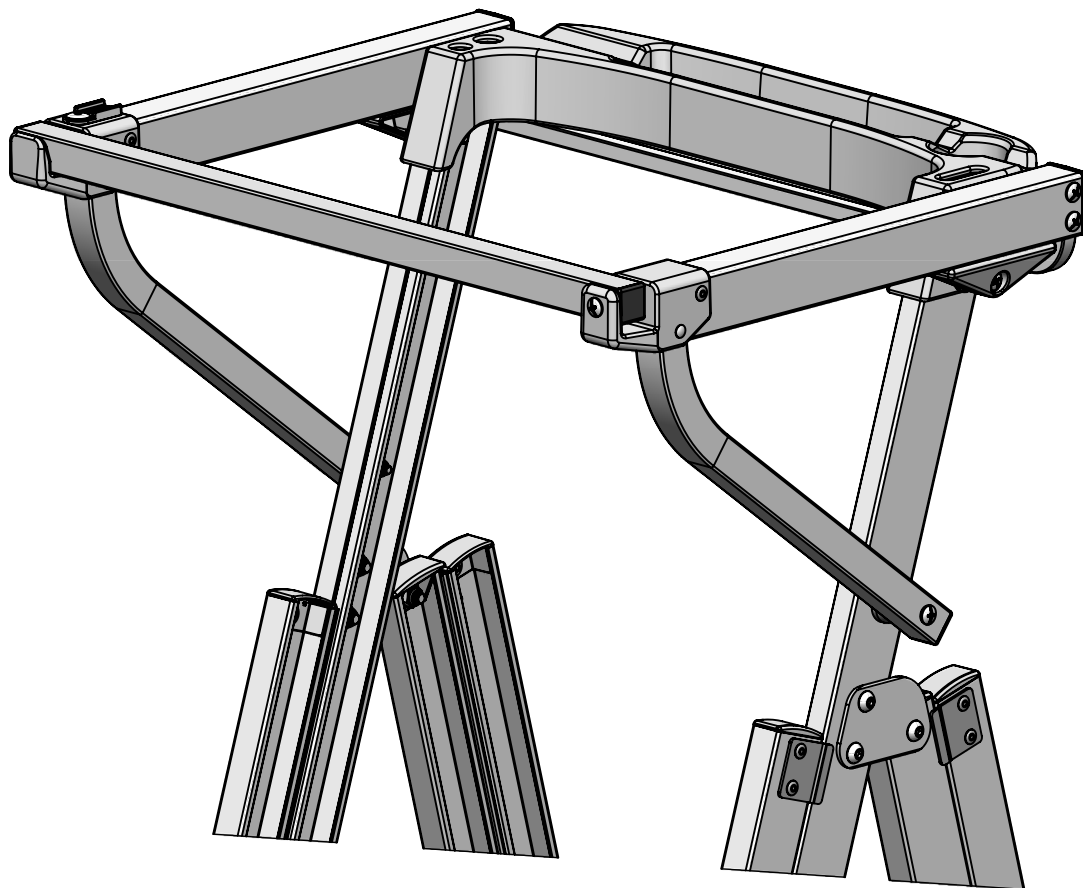
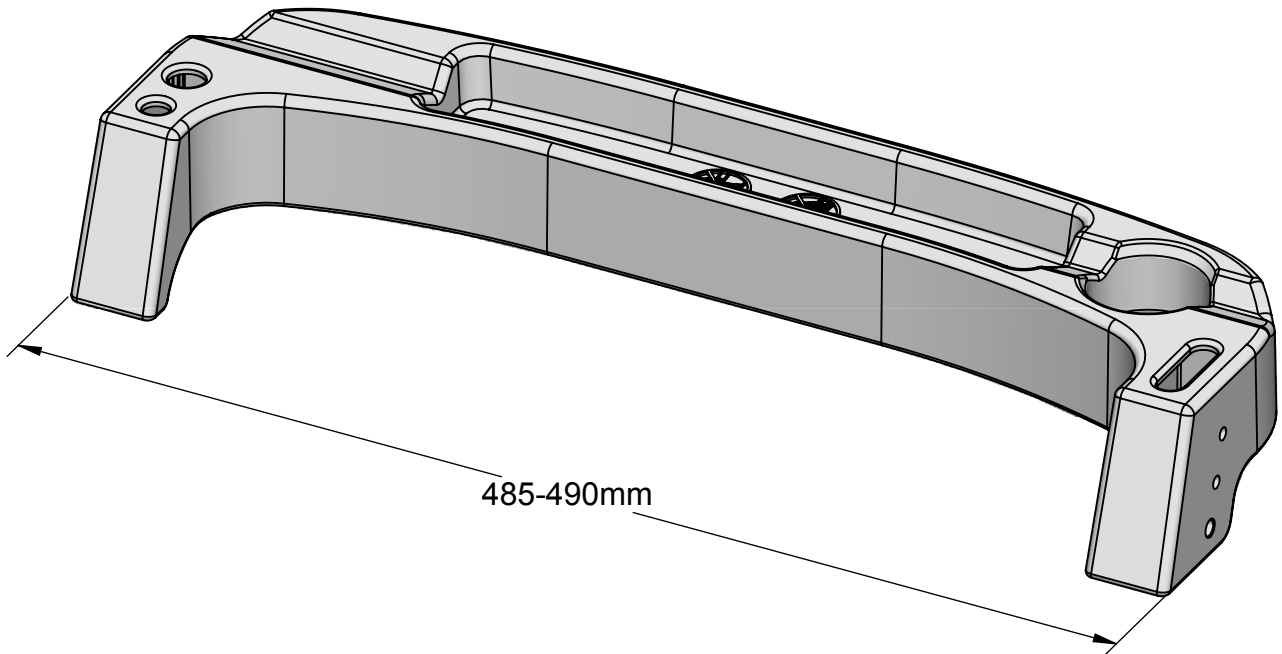


Safety Gate Assembly Manual to Suit Bailey Adjustable Height Aluminium Platform Stepladders with a 485-490mm Handrail Width



READ THESE INSTRUCTIONS COMPLETELY BEFORE STARTING WORK

WARNING:

- Do not attempt to fit this Safety Gate unless you are competent in the use of hand tools including: Spanners and Power Tools.
- Do not attempt to fit this Safety Gate unless you understand basic technical drawings and can relate such drawings to step by step instructions.
- If you do not understand these instructions, contact your employer, dealer, or the manufacturer for assistance.
- Your original product has been manufactured to exacting standards.
- If the Safety Gate is fitted incorrectly you can compromise your safety and the integrity of the product.
- If the Safety Gate is fitted incorrectly Werner Co. will not be liable for any damage or personal injury which occurs as a result.
- By fitting this Safety Gate to your product you may void the warranty on the product.
- If used and cared for properly, it will provide you with many years of reliable service.
- Prior to commencement, identify all the kit components required.
- If any components are missing or damaged, return the kit to the place of purchase.
- Do not substitute any components.

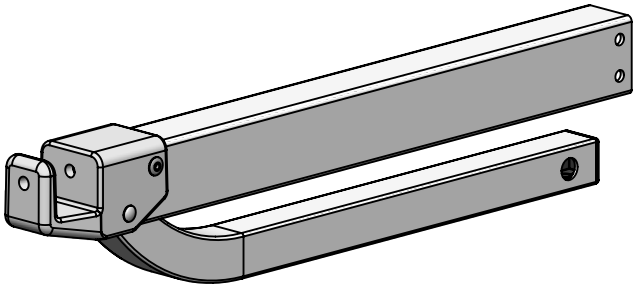
WARNING:

- AS 1892: Portable Ladders.
- Read and understand assembly instructions and labels before use.
- Inspect all components for damage before use.
- Ensure enclosed slip resistant footwear is worn at all times.
- Ensure ladder is only used on firm and level ground.
- Do not overreach.
- Always keep your 'belt buckle' inside the footprint of the ladder.
- Do not move the ladder with users, tools or materials on the platform.
- Do not use this ladder if you tire easily or are subject to fainting spells, are using medication, drugs or alcohol, are pregnant or physically handicapped.
- The manufacturer/importer Werner Co. will not be responsible for damage or injury to persons through misuse of ladders.

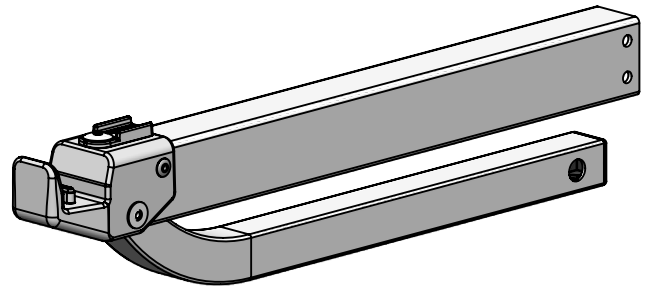
ATTENTION:

- For Goods Return, this package must be in original condition.
- If the contents are opened and or partially assembled they will not be accepted as a returnable item.

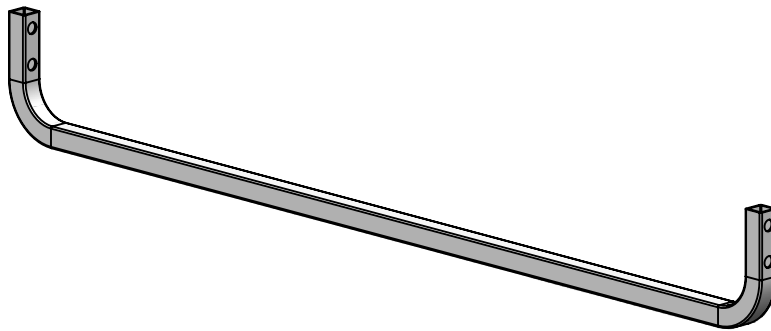
Step 1 - Identify Kit Components



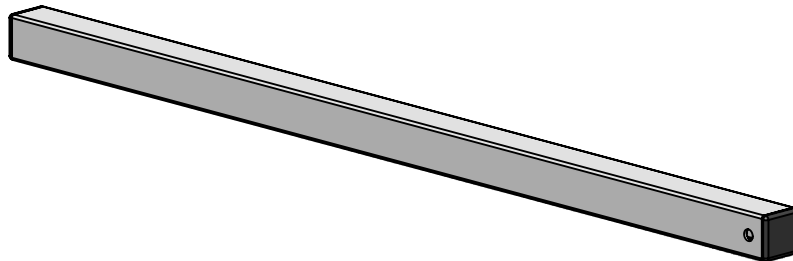
Side Arm Assembly (Pivot)



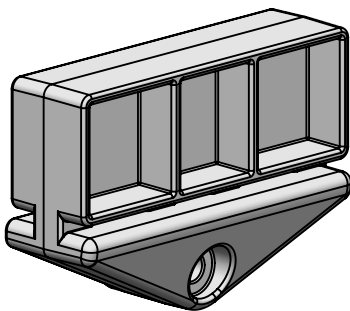
Side Arm Assembly (Latch)



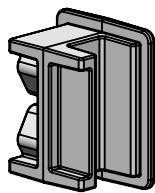
Rear Cross Bar



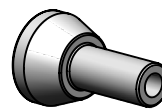
Safety Gate



Slide Pivot (x2)



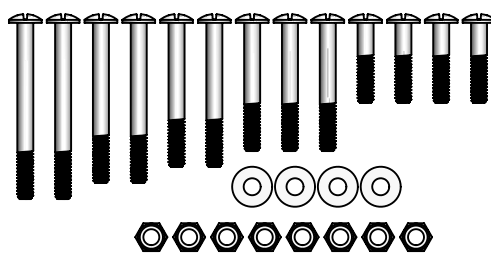
End Cap (x2)



Pivot Bush (x2)

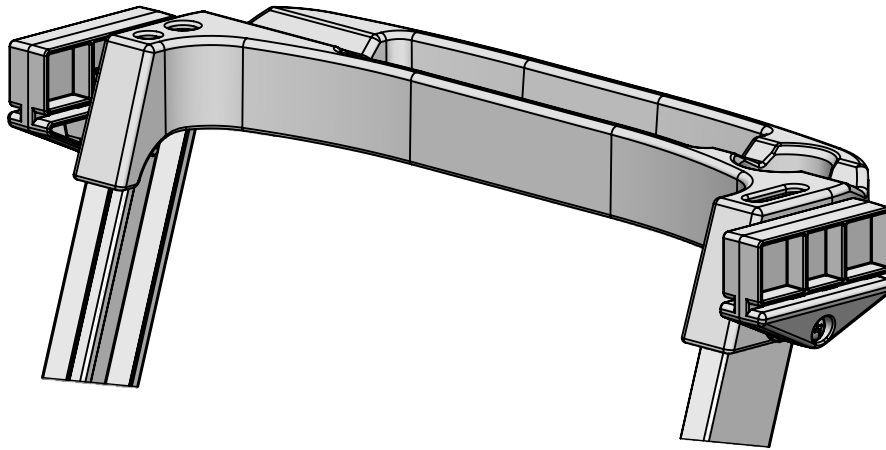


Spacer #2 (x2)

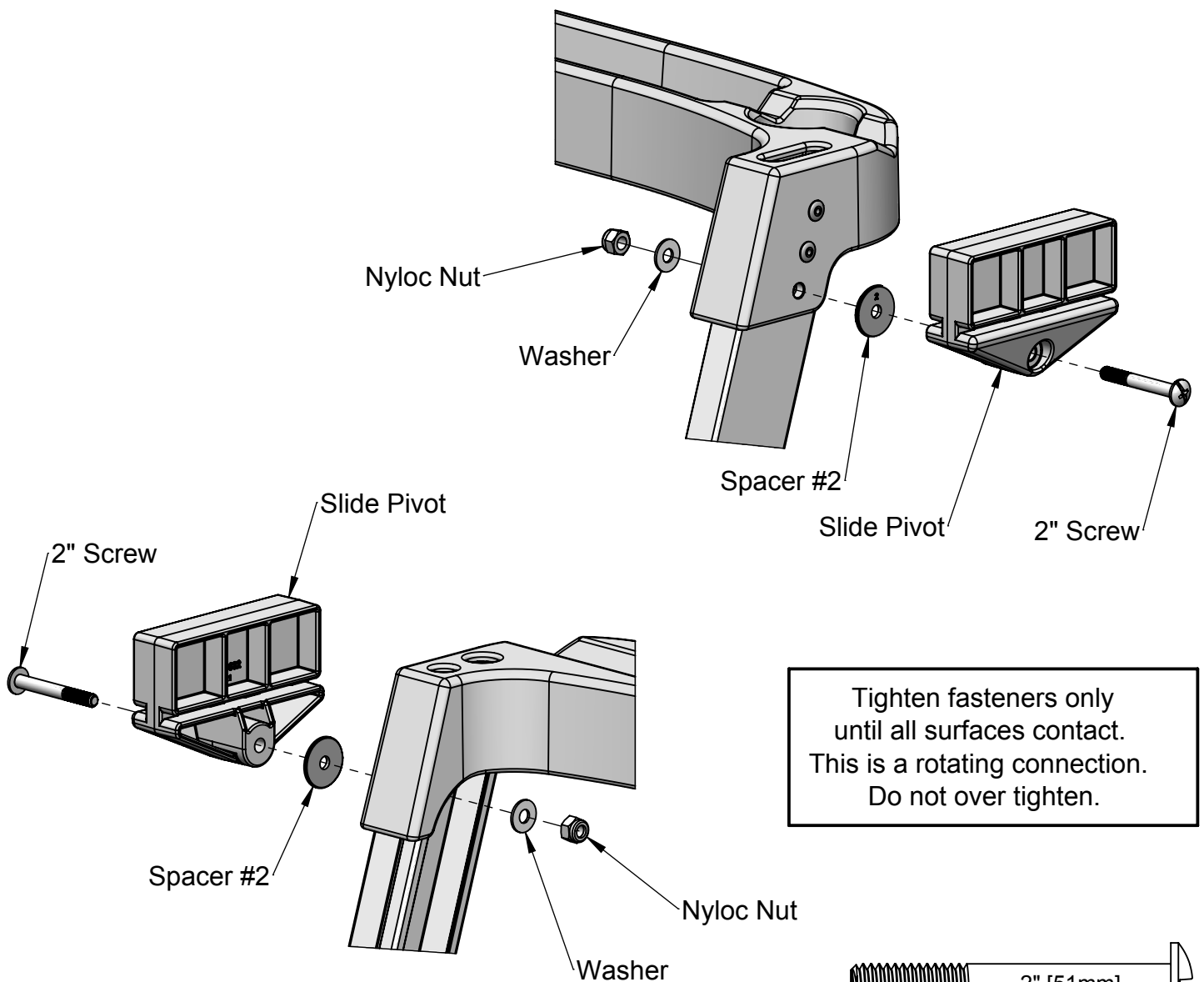


Fastener Kit

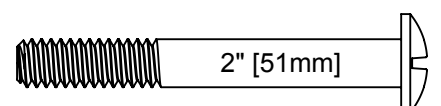
Step 2 - Assemble Slide Pivots



Assembled View

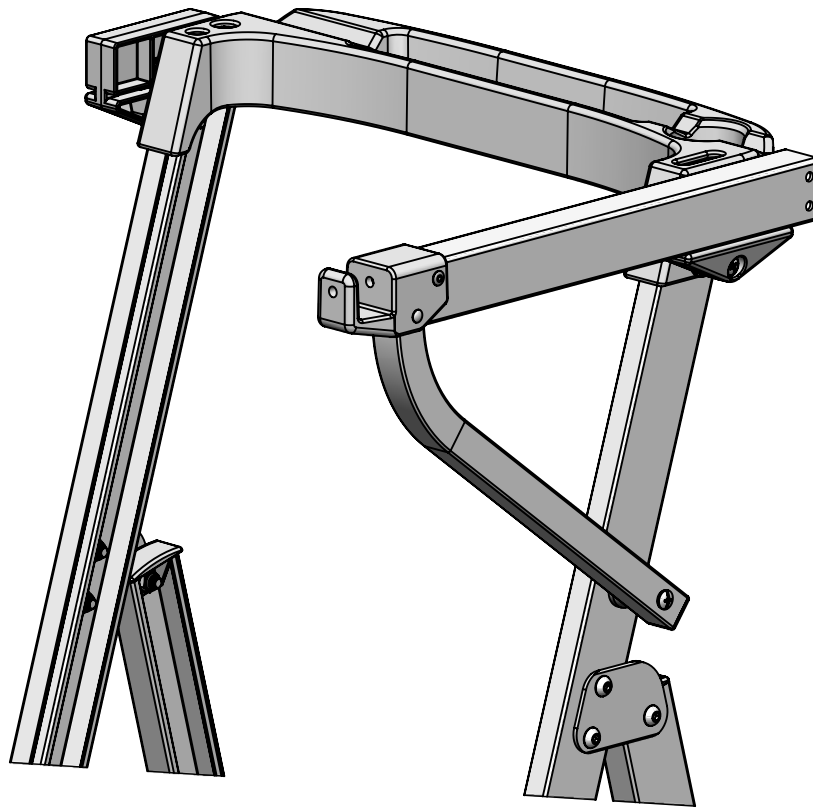


Tighten fasteners only until all surfaces contact. This is a rotating connection. Do not over tighten.

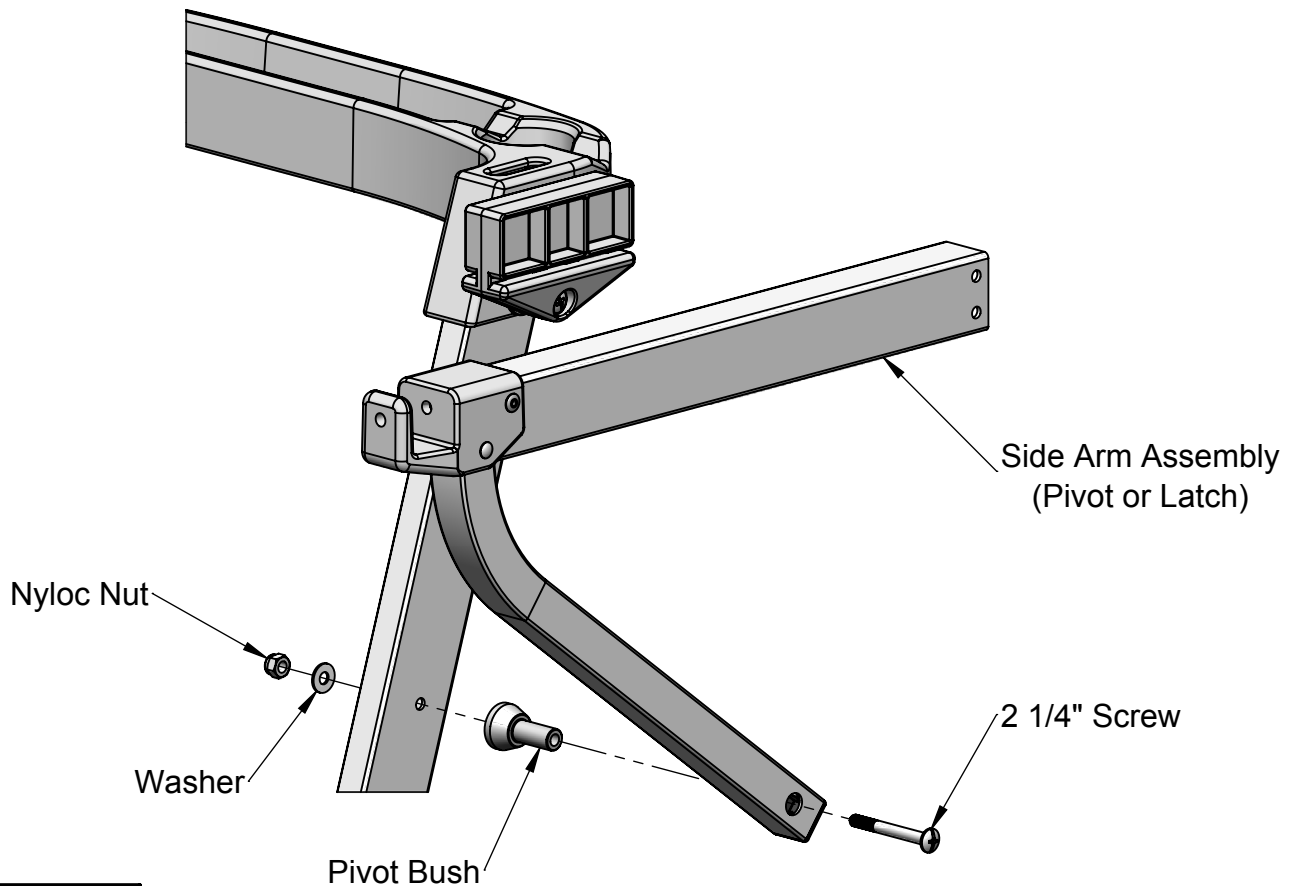


Screw Size Template (Actual Size)

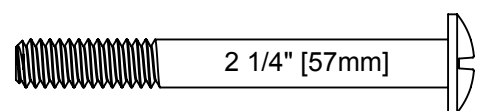
Step 3 - Assemble RHS Side Arm



Assembled View

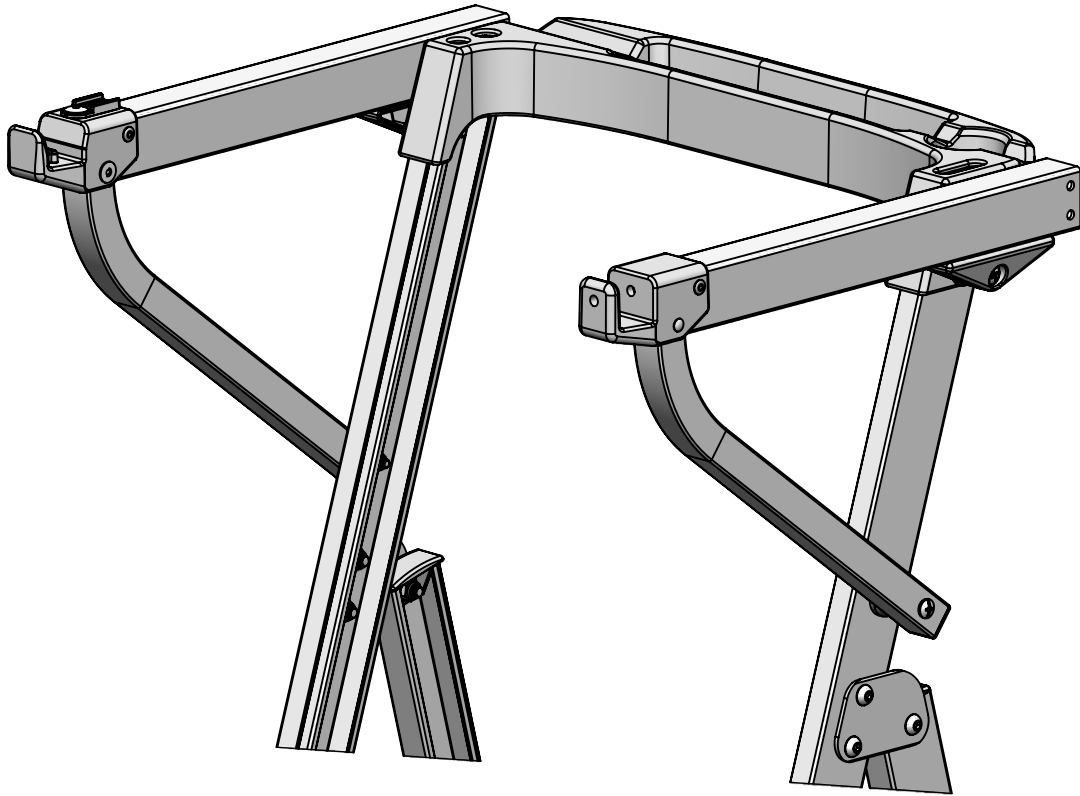


Firmly
tighten
fasteners.



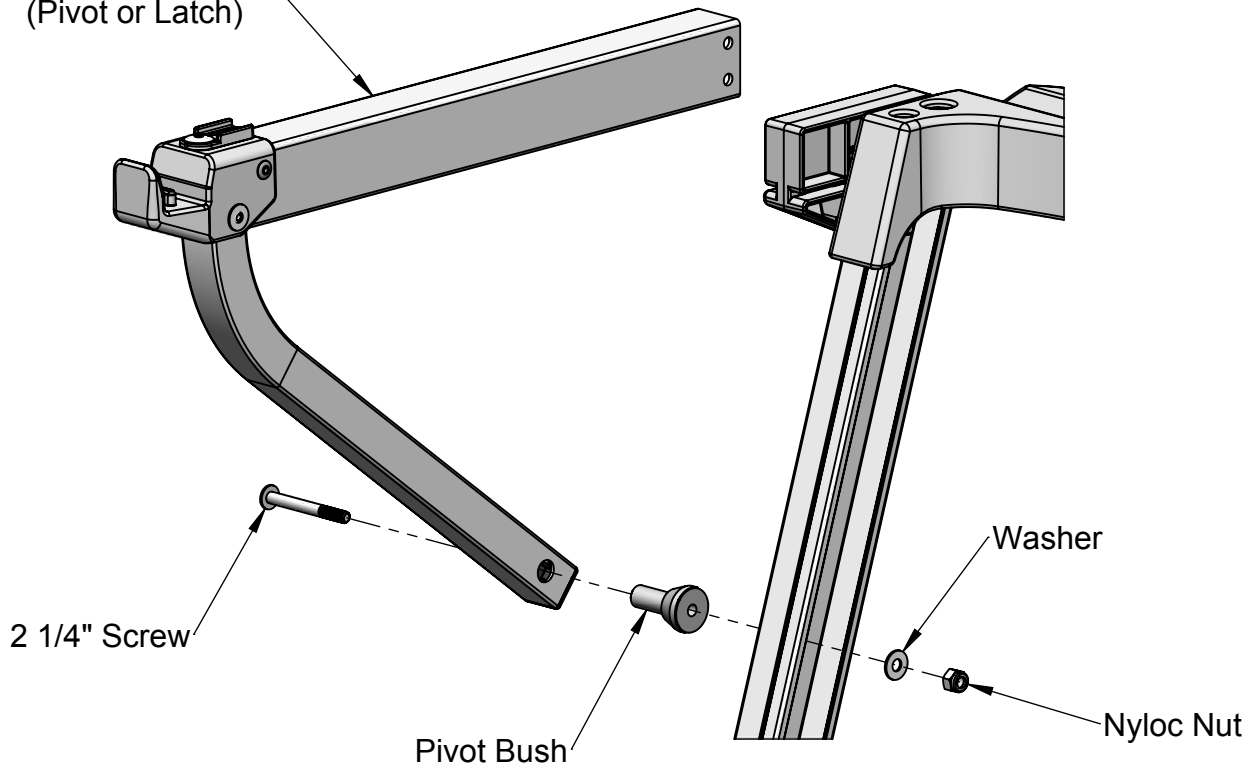
Screw Size Template (Actual Size)

Step 4 - Assemble LHS Side Arm

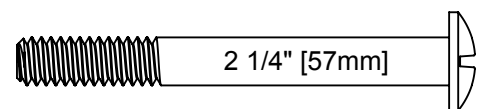


Assembled View

Side Arm Assembly
(Pivot or Latch)

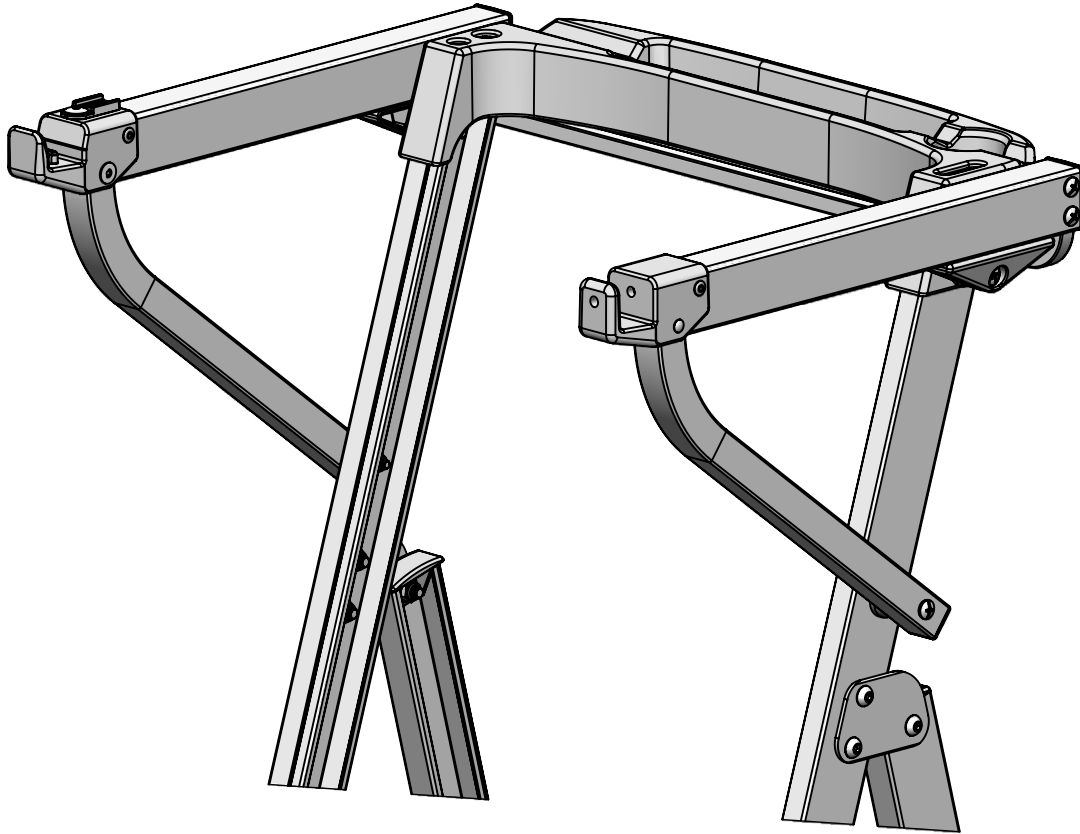


Firmly
tighten
fasteners.

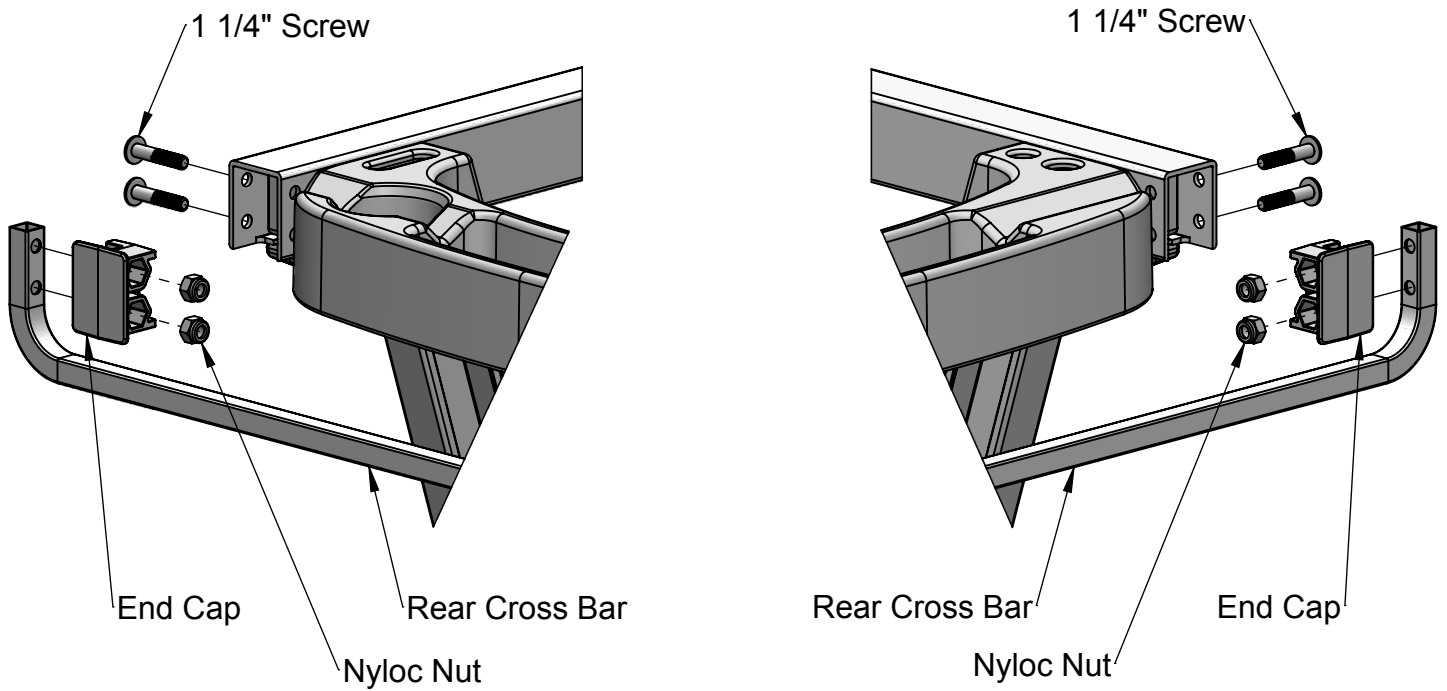


Screw Size Template (Actual Size)

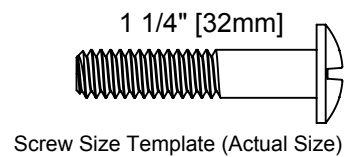
Step 5 - Assemble Rear Cross Bar



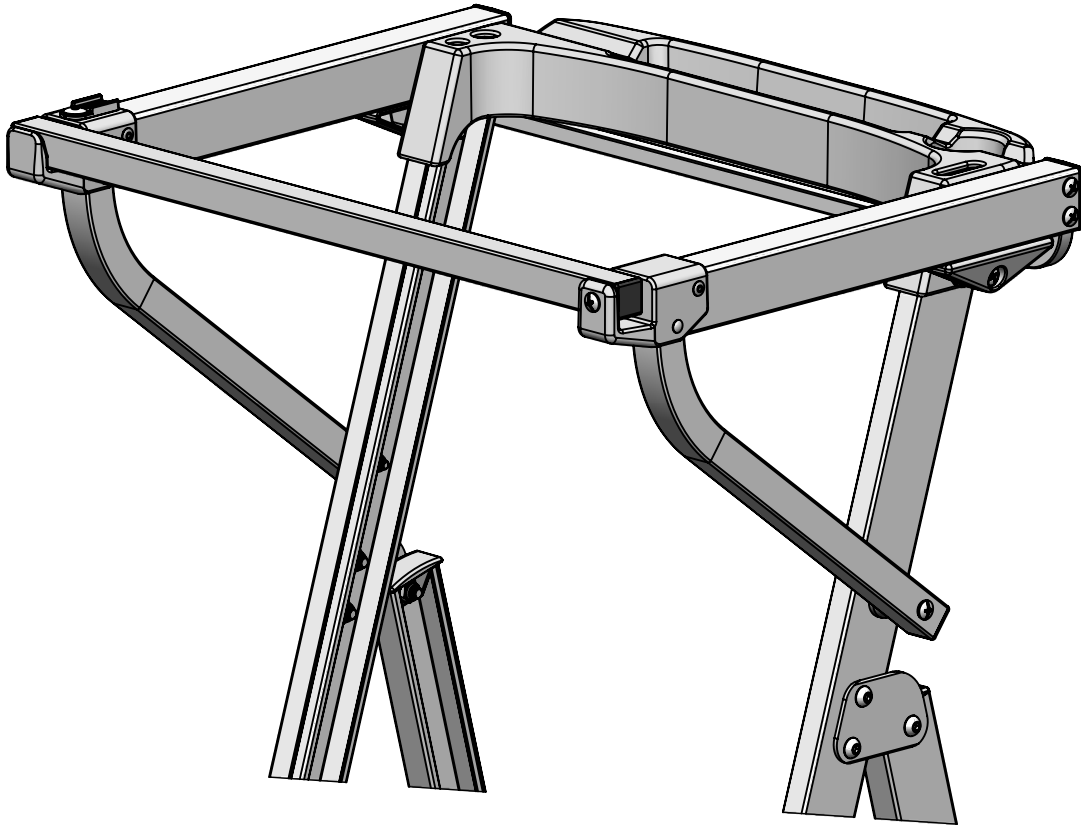
Assembled View



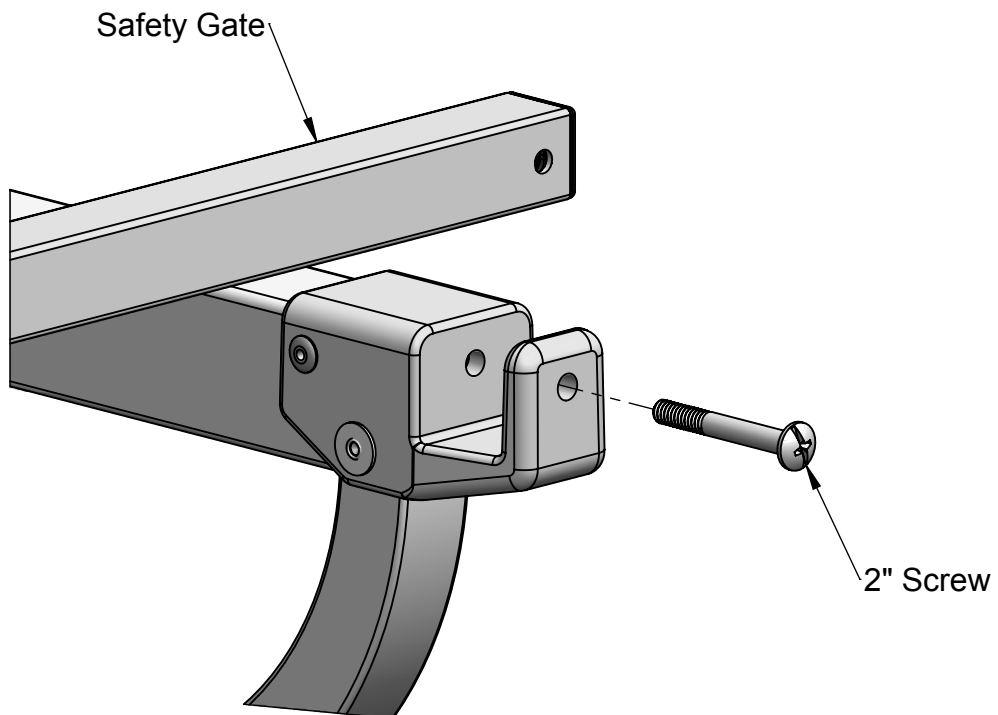
Firmly tighten all fasteners.



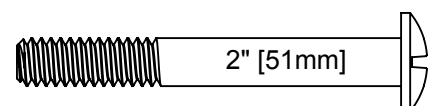
Step 6 - Assemble Safety Gate



Assembled View



Tighten fasteners only until all surfaces contact. This is a rotating connection. Do not over tighten.



Screw Size Template (Actual Size)