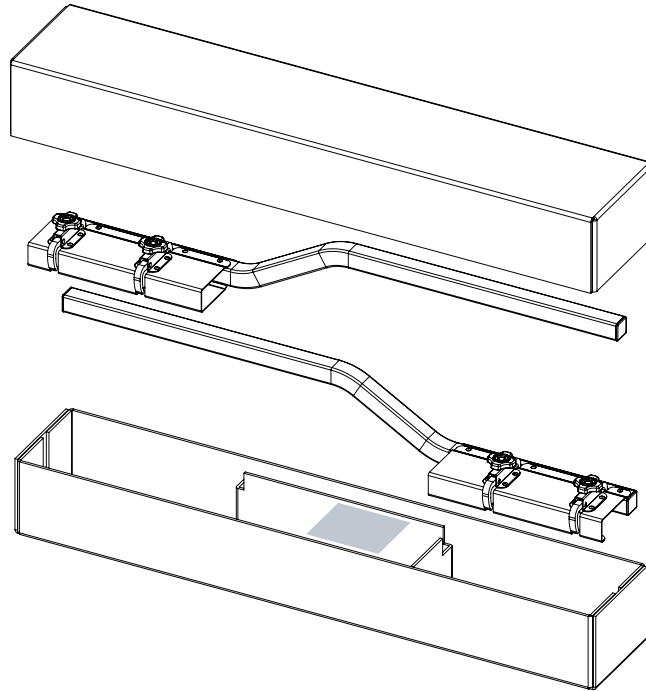
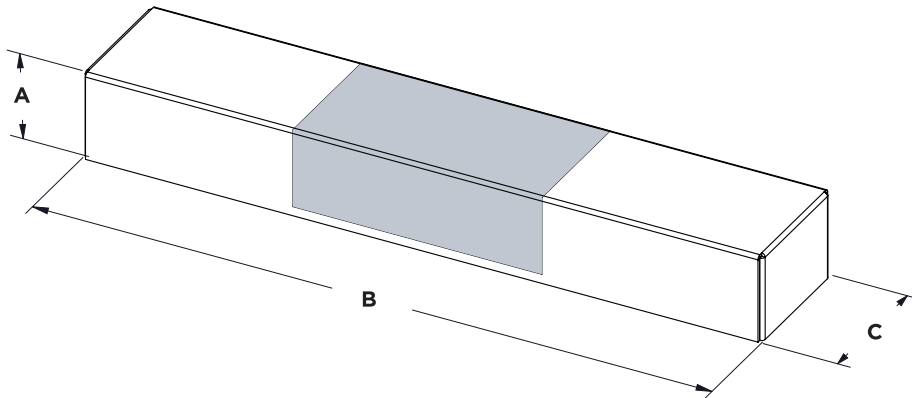


### EXTENSION LADDER / EXTENSION LADDER STEP THRU SAFETY DEVICE



PACKAGED DETAIL



PACKAGED VIEW

PRODUCT CODE	PRODUCT DESCRIPTION	PRODUCT EAN	A(mm)	B(mm)	C(mm)	WT(kg)	PACKED VOL(M3)
FS14000	EXTENSION LADDER STEP THRU SAFETY DEVICE	9312097066199	182	1353	263	7.0	0.065